

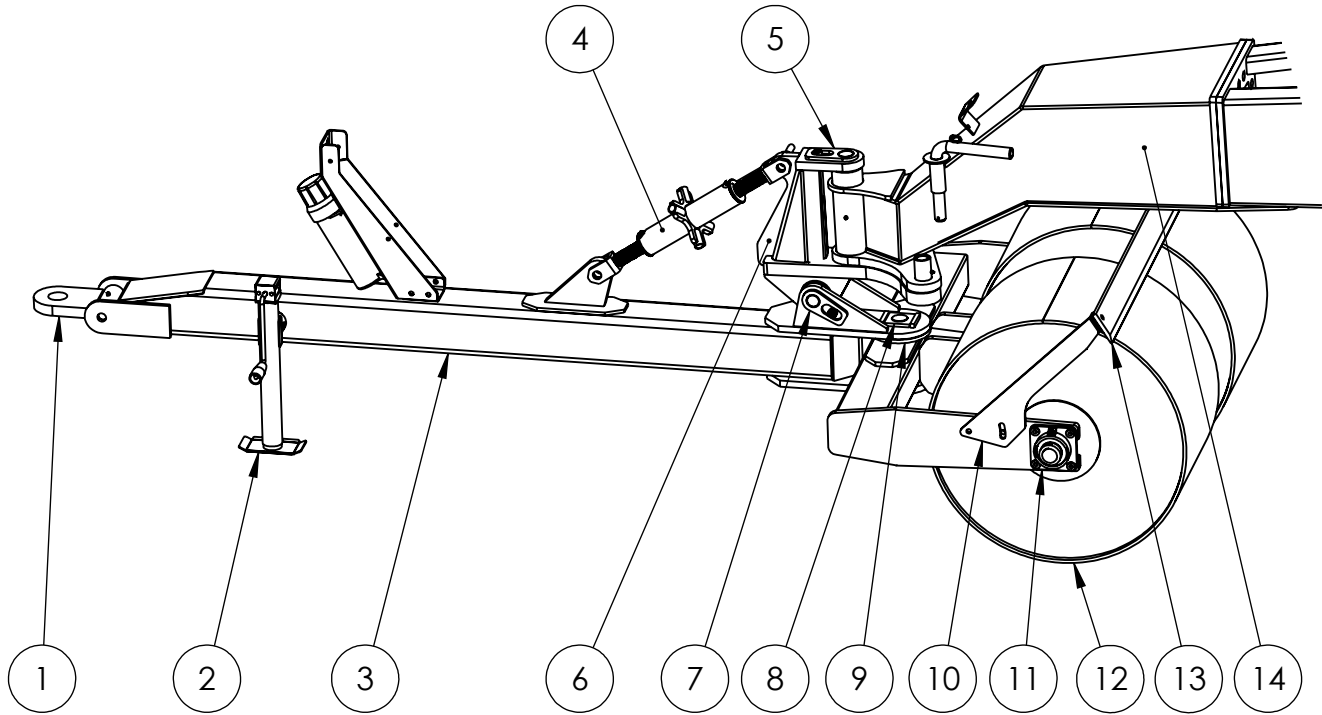
# TRI PLANE

## PARTS BOOK

MODELS: TRI143, TRI144, TRI163, TRI164, TRI183 & TRI184



[www.porterswelding.com](http://www.porterswelding.com)



ITEM NO.	PART NUMBER	DESCRIPTION	QTY
1	FTP-CA202	HITCH	1
2	PW-LT130	15" TRAILER JACK	1
3	FTP-CA201	TONGUE	1
4	FTP-CA244	TURNBUCKLE TRANSPORT	1
5	FTP-CA220	TONGUE SWING PIN ASSEMBLY	1
6	FTP-CA105	TONGUE PIVOT ASSEMBLY	1
7	FTP-CA106	TONGUE PIVOT PIN ASSEMBLY	1
8	FTP-CA107	FRONT WHEEL THREADED PIN	1
8	CASTLE NUT	1-1/2"-6 CASTLE NUT	1
9	FTP-CT312	FRONT WHEEL WASHER	1
10	FTP-CA242	WHEEL SCRAPER HOLDER LEFT	1
10	FTP-CA241	WHEEL SCRAPER HOLDER RIGHT	1
11	STW-BER	1-3/4" BEARING	4
12	FTP-CA240	18" STEEL WHEEL	2
13	FTP-CT247	18" STEEL WHEEL SCRAPER	1
14	FTP-CA301	GOOSENECK ASSEMBLY	1

\* THE SERIAL NUMBER OF THE EQUIPMENT IS REQUIRED

CALL YOUR LOCAL DEALER FOR PARTS

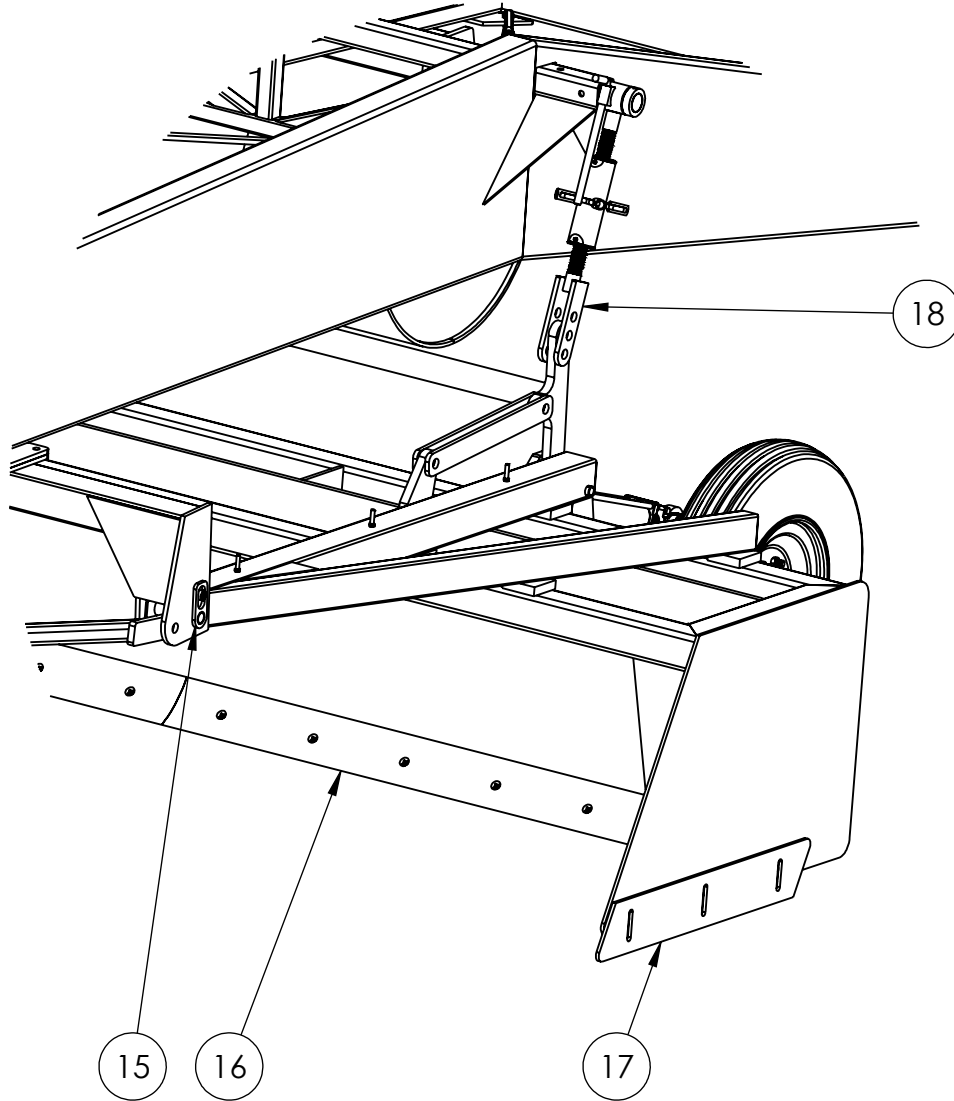
# TRI PLANE

## PARTS BOOK

MODELS: TRI143, TRI144, TRI163, TRI164, TRI183 & TRI184



[www.porterswelding.com](http://www.porterswelding.com)



ITEM NO.	PART NUMBER	DESCRIPTION	QTY
15	FTP-CA109	TRAILING ARM PIN	1
16	126-BLD*	BLADE	SET (2)
17	FTP-CT760	SLOBBER BIT	SET (2)
18	FTP-CA753	TURNBUCKLE BUCKET	2

\* THE SERIAL NUMBER OF THE EQUIPMENT IS REQUIRED

CALL YOUR LOCAL DEALER FOR PARTS

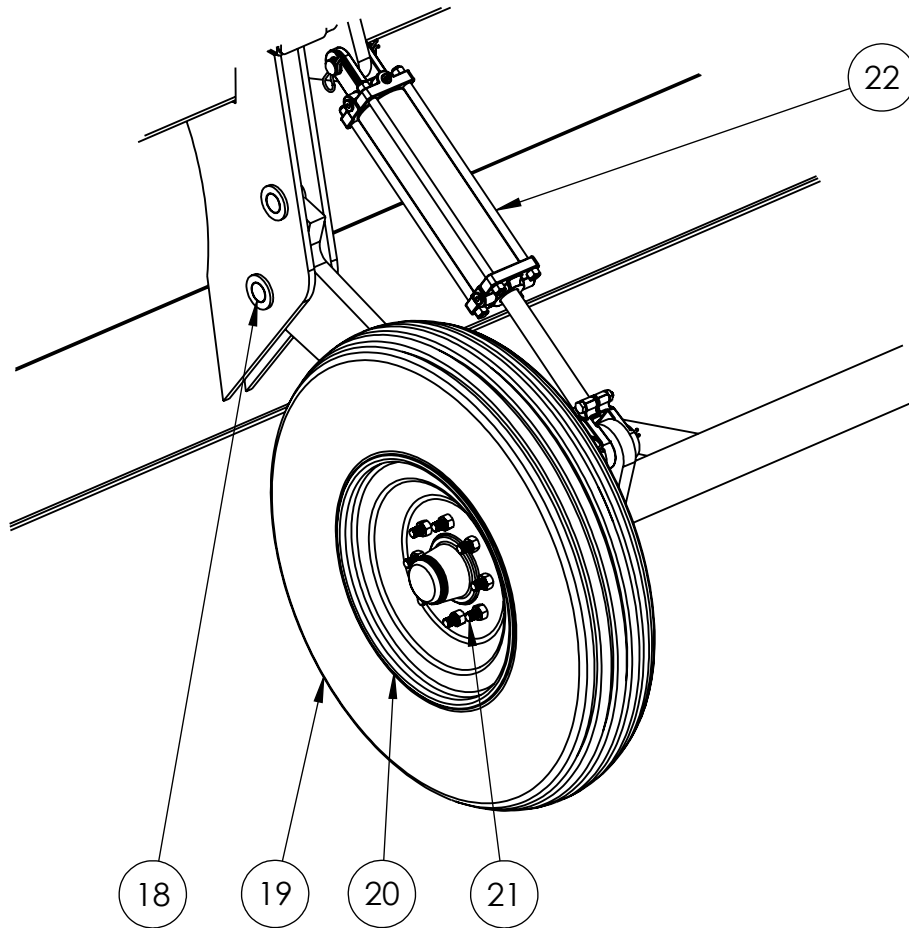
# TRI PLANE

## PARTS BOOK

MODELS: TRI143, TRI144, TRI163, TRI164, TRI183 & TRI184



[www.porterswelding.com](http://www.porterswelding.com)



ITEM NO.	PART NUMBER	DESCRIPTION	QTY
18	FTP-CA758	AXLE LOCK PIN	4
19	PW-LWT033	7.5-16/10 TIRE	2
20	PW-LWT025	16 X 6 WHEEL	2
21	PW-LWA003	8 ON 6.5 HUB	2
22	312-TRC	3 X 12 CYLINDER TIE ROD	2

\* THE SERIAL NUMBER OF THE EQUIPMENT IS REQUIRED

CALL YOUR LOCAL DEALER FOR PARTS

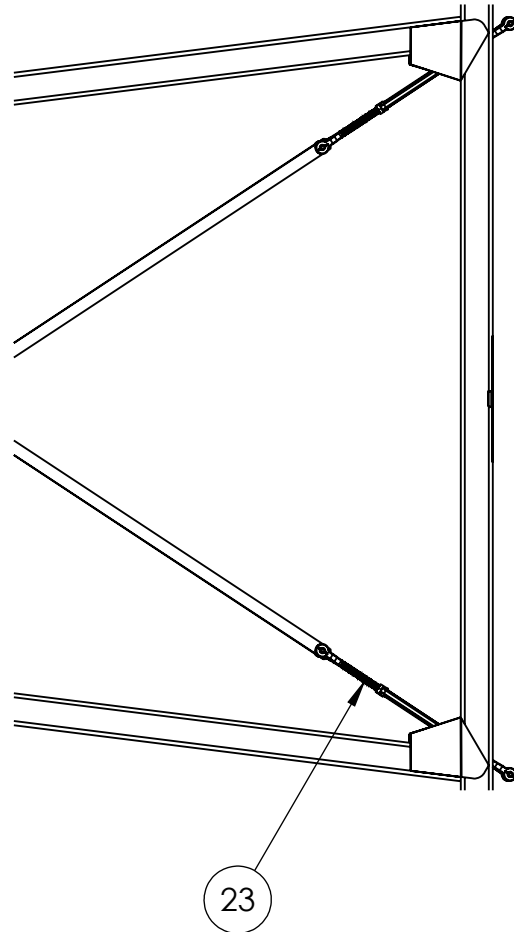
# TRI PLANE

## PARTS BOOK

MODELS: TRI143, TRI144, TRI163, TRI164, TRI183 & TRI184



[www.porterswelding.com](http://www.porterswelding.com)



ITEM NO.	PART NUMBER	DESCRIPTION	QTY
23	TLK-TRN	3/4" TURN BUCKLE	2

\* THE SERIAL NUMBER OF THE EQUIPMENT IS REQUIRED

CALL YOUR LOCAL DEALER FOR PARTS

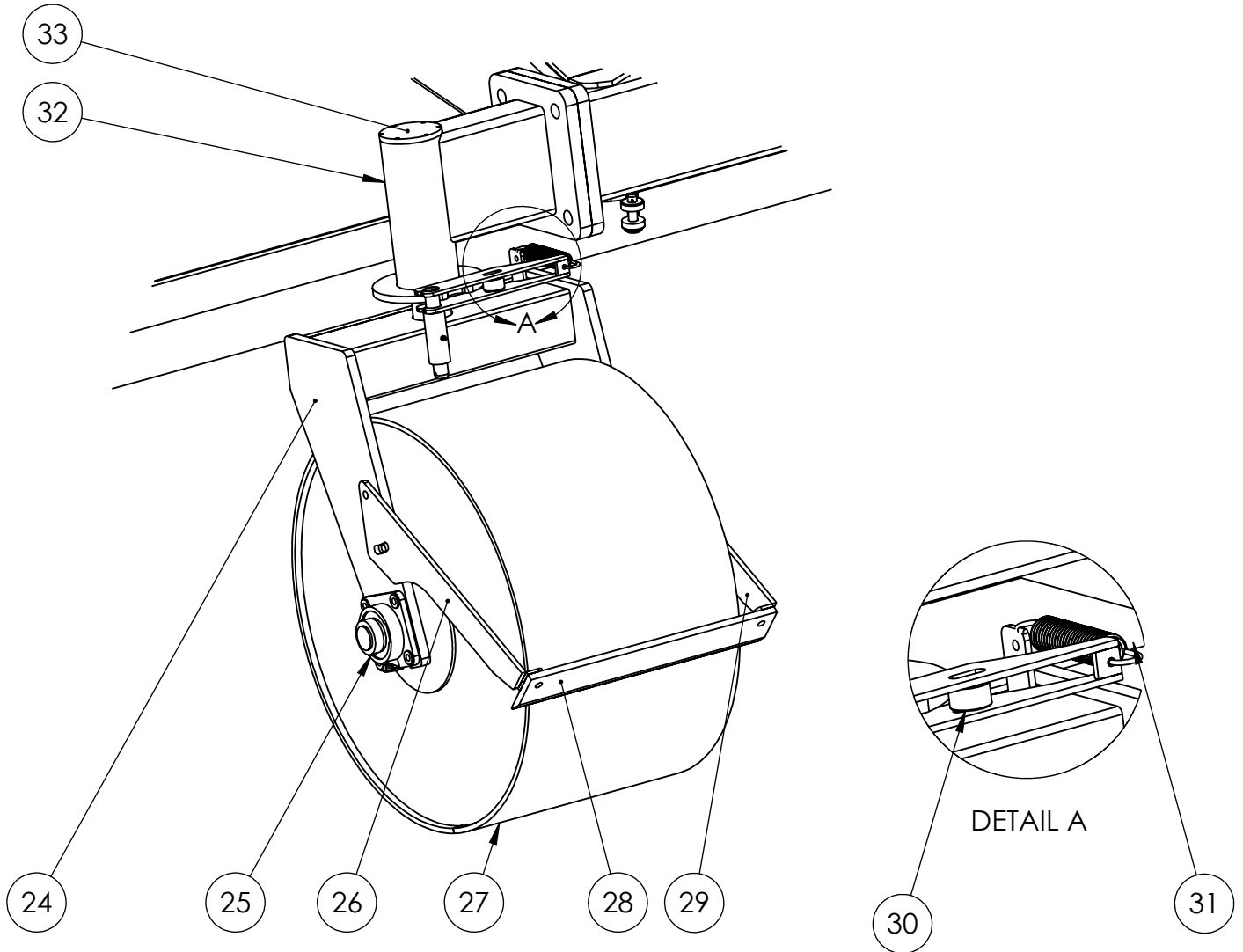
# TRI PLANE

## PARTS BOOK

MODELS: TRI143, TRI144, TRI163, TRI164, TRI183 & TRI184



[www.porterswelding.com](http://www.porterswelding.com)



ITEM NO.	PART NUMBER	DESCRIPTION	QTY
24	FTP-CA503	WALKER ASSEMBLY	2
25	STW-BER	1-3/4" BEARING	4
26	FTP-CA242	WHEEL SCRAPER HOLDER LEFT	2
27	FTP-CA240	18" STEEL WHEEL	2
28	TRI-CT520	18" STEEL WHEEL SCRAPER	2
29	FTP-CA241	WHEEL SCRAPER HOLDER RIGHT	2
30	SWE-BER	CAM FOLLER ROLLER BEARING	2
31	FTP-CT521	SPRING	2
32	TRI-CA501*	LEFT ARM	1
-	TRI-CA502*	RIGHT ARM	1
33	FTP-CT522	ARM CAP	2

\* THE SERIAL NUMBER OF THE EQUIPMENT IS REQUIRED

CALL YOUR LOCAL DEALER FOR PARTS

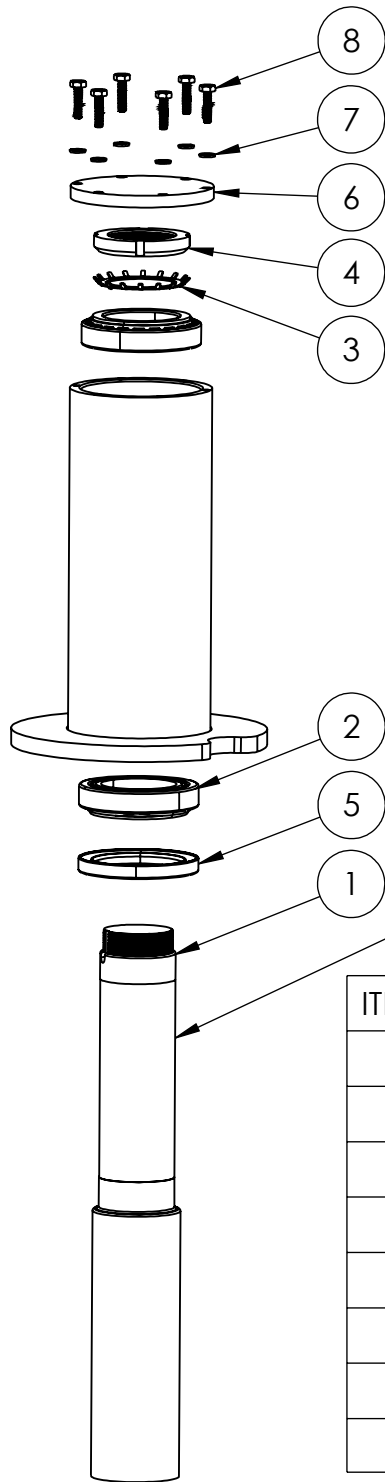
# TRI PLANE

## PARTS BOOK

MODELS: TRI143, TRI144, TRI163, TRI164, TRI183 & TRI184



[www.porterswelding.com](http://www.porterswelding.com)



NOTE: REQUIRES WELDING TO REPLACE

ITEM NO.	PART NUMBER	DESCRIPTION	QTY.
1	FTP-CT512	SPINDLE	1
2	BER-KIT	BEARING KIT	2
3	FTP-CT524	CRAZY WHEEL STAR WASHER	1
4	FTP-CT523	CRAZY WHEEL LOCK NUT	1
5	INT-SAL	SEAL	1
6	FTP-CT522	FOLD ARM BUSHING CAP	1
7	LOCK WASHER	1/4" LOCK WASHER	6
8	BOLT	1/4-20 X 1"	6

\* THE SERIAL NUMBER OF THE EQUIPMENT IS REQUIRED

CALL YOUR LOCAL DEALER FOR PARTS

# TRI PLANE

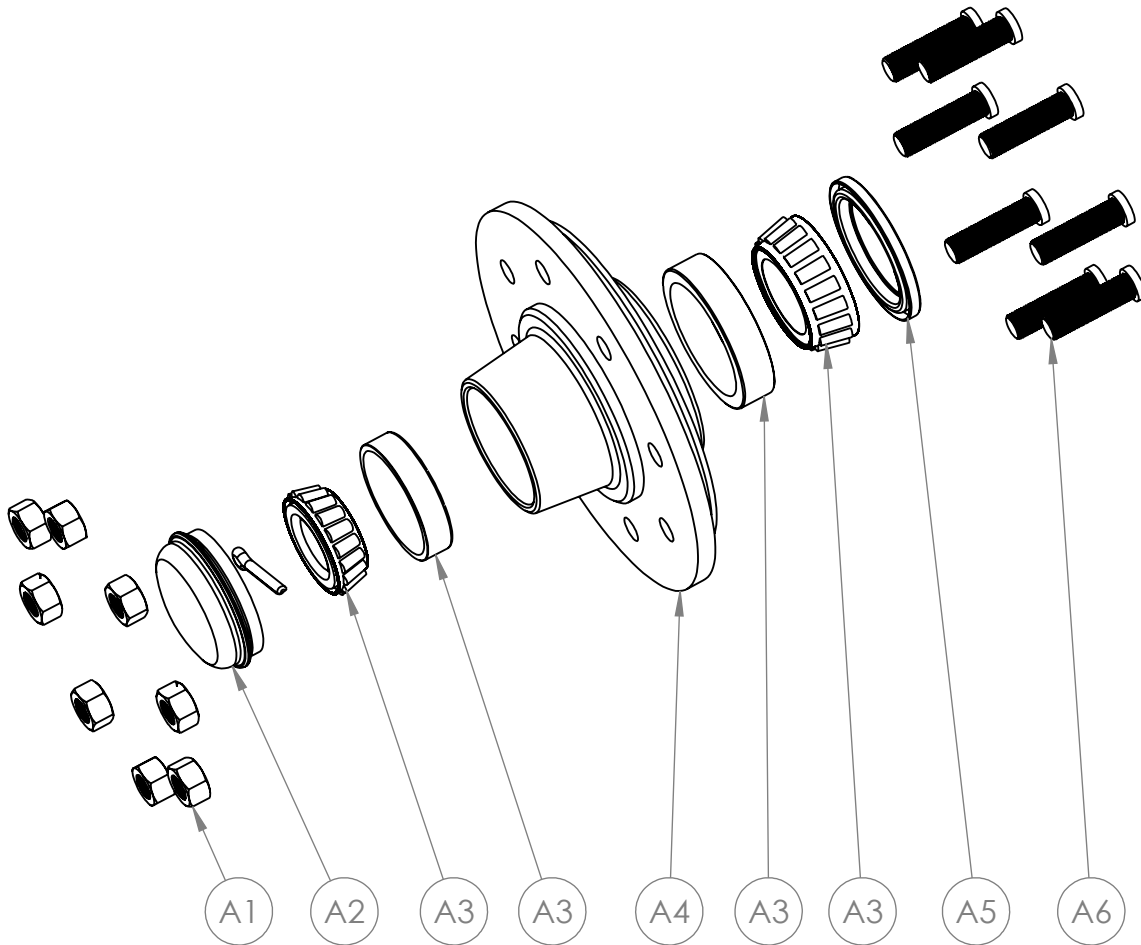
## PARTS BOOK

MODELS: TRI143, TRI144, TRI163, TRI164, TRI183 & TRI184



[www.porterswelding.com](http://www.porterswelding.com)

### 8 ON 6.5 HUB ASSEMBLY



ITEM	PART NUMBER	DESCRIPTION	QTY
A1	PW-LWT016	LUG NUT	8
A2	PW-LWT046	DUST CAP	1
A3	806-BER	BEARING KIT	1
A4	PW-LWT004	8 ON 6.5 HUB	1
A5	PW-LWT045	SEAL	1
A6	PW-LWT002	STUD	8