

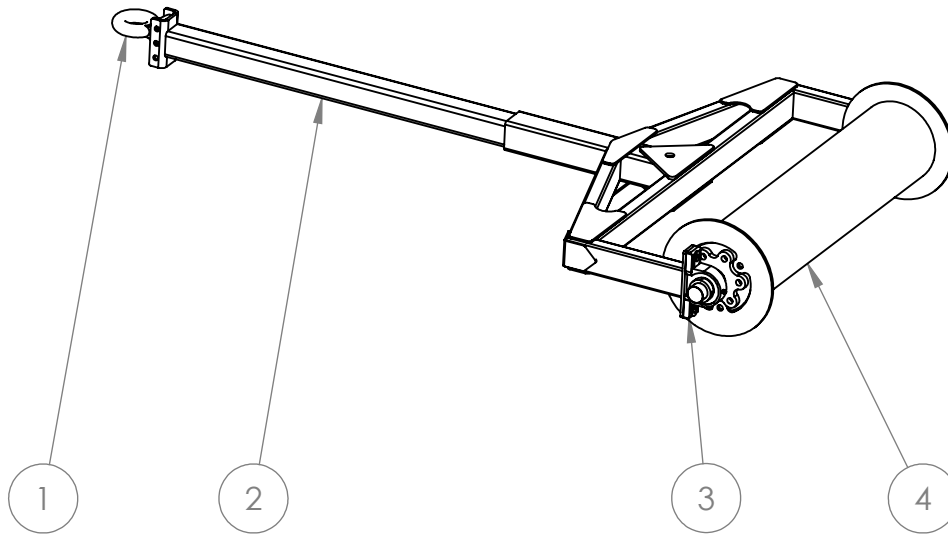
# RING ROLLER

## PARTS BOOK

MODELS: 4' TO 23'



[www.porterswelding.com](http://www.porterswelding.com)



ITEM	PART NUMBER	DESCRIPTION	QTY
1	PW-LT048	12K HITCH	1
2	RR-CA100*	TONGUE	1
3	PRR-2BER	2-3/16" 2 BOLT BEARING	2
4	RR-CA110*	10" DIAMETER PIPE ASSEMBLY	1
4	RR-CA112*	12" DIAMETER PIPE ASSEMBLY	1
4	RR-CA114*	14" DIAMETER PIPE ASSEMBLY	1

\* THE SERIAL NUMBER OF THE EQUIPMENT IS REQUIRED

CALL YOUR LOCAL DEALER FOR PARTS

# RING ROLLER

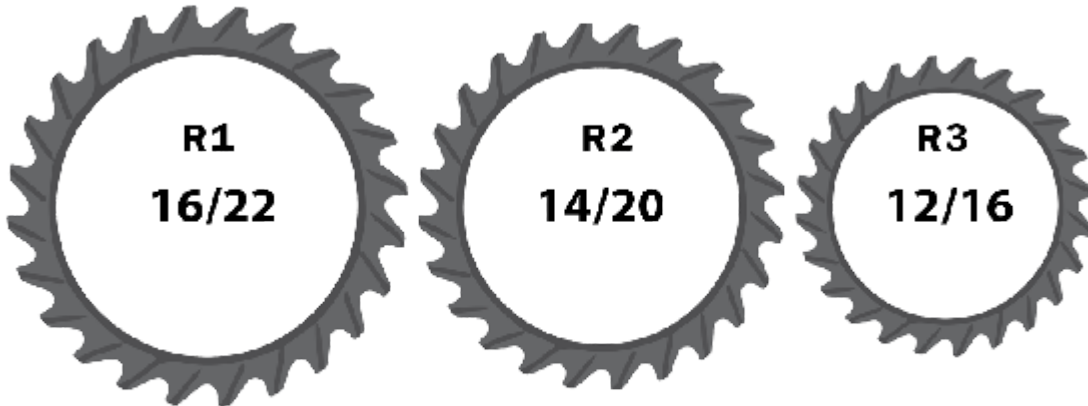
## PARTS BOOK

MODELS: 4' TO 23'



[www.porterswelding.com](http://www.porterswelding.com)

### RINGS



### Inside Diameter / Outside Diameter

ITEM	PART NUMBER	DESCRIPTION	QTY
R1	-	16/22 RINGS	*
R2	-	14/20 RINGS	*
R3	-	12/16 RINGS	*

\* THE SERIAL NUMBER OF THE EQUIPMENT IS REQUIRED

CALL YOUR LOCAL DEALER FOR PARTS