

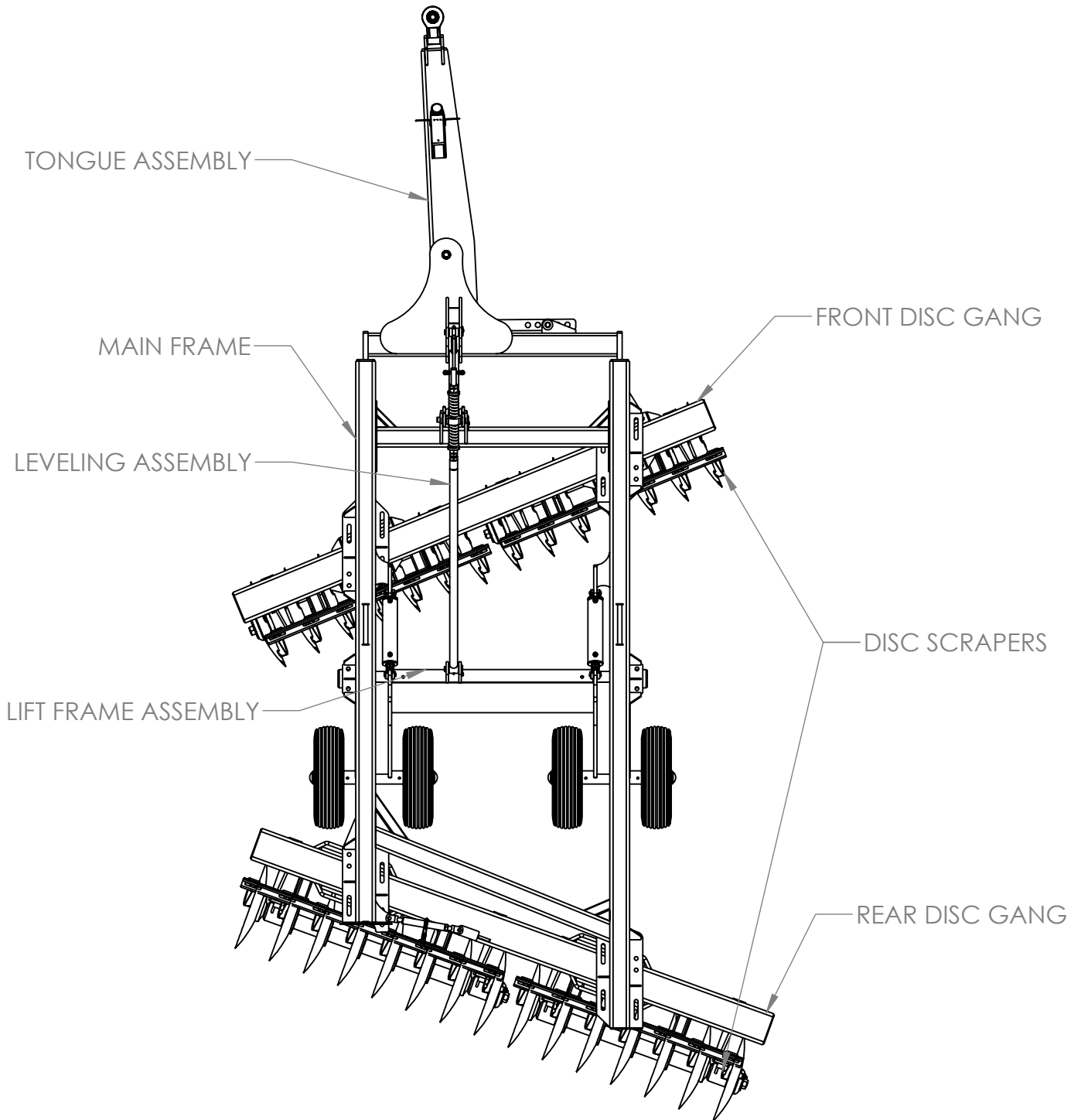
OFFSET WHEEL HARROW

PARTS BOOK

MODELS: PWH12, PWH14, PWH16, PWH18 & PWH19



www.porterswelding.com



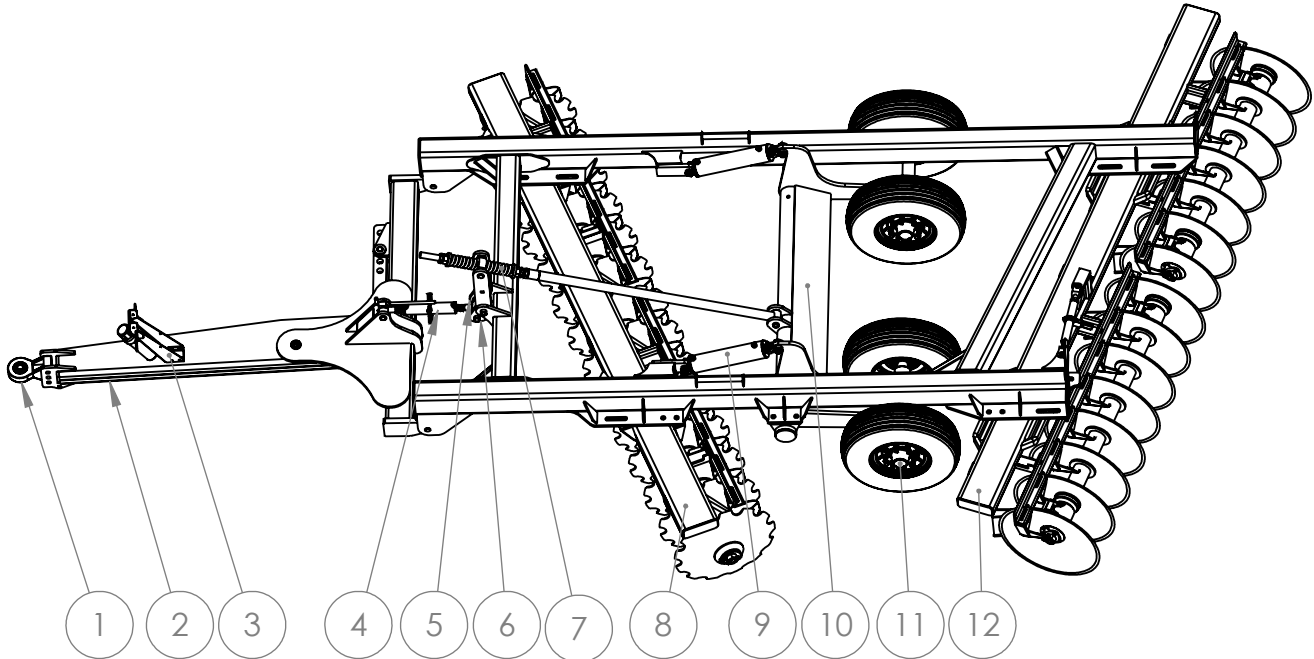
OFFSET WHEEL HARROW

PARTS BOOK

MODELS: PWH12, PWH14, PWH16, PWH18 & PWH19



www.porterswelding.com



ITEM	PART NUMBER	DESCRIPTION	QTY
1	PW-LT708	HITCH CAT4Z	1
2	PWH-CA208	TONGUE BOOM CROSS ASSEMBLY	1
3	PW-LA108	DOCUMENT HOLDER	1
4	PWH-CA207	TURNBUCKLE TONGUE	1
5	PWH-CA404	LEVELER ARM ASSEMBLY RIGHT	1
6	PWH-CA405	LEVELER ARM ASSEMBLY LEFT	1
7	PWH-CA402	LEVELER ASSEMBLY	1
7	84319566	LEVELER SPRING	2
8	PWH-FBA*	FRONT BLADE ASSEMBLY	2
9	416-WCY	4X16 CYLINDER	2
9	SLK-40150**	4X16 CYLINDER SEAL KIT	2
10	PWH-CA301	AXLE ASSEMBLY	1
11	PW-LWA002	8 ON 8 HUB ASSEMBLY	4
12	PWH-RBA*	REAR BLADE ASSEMBLY	2

* THE SERIAL NUMBER OF THE EQUIPMENT IS REQUIRED

** BRAND NAME, BORE SIZE AND ROD SIZE ARE REQUIRED

CALL YOUR LOCAL DEALER FOR PARTS

OFFSET WHEEL HARROW

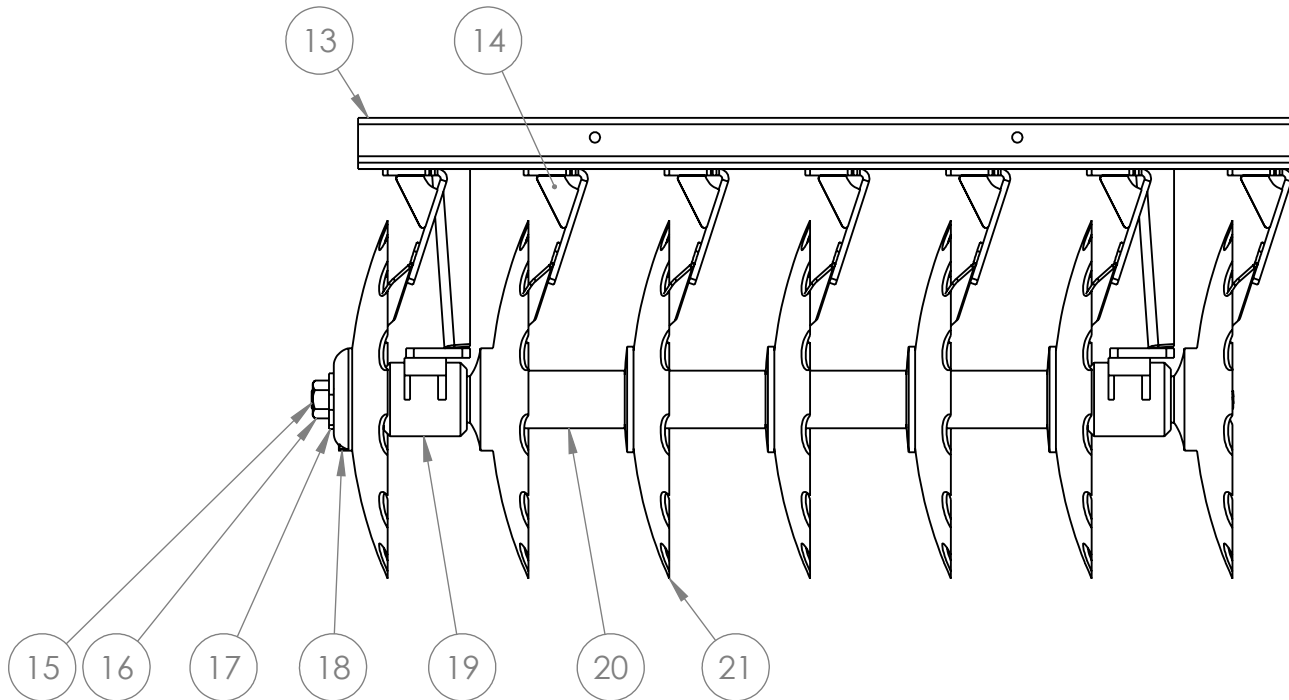
PARTS BOOK

MODELS: PWH12, PWH14, PWH16, PWH18 & PWH19



www.porterswelding.com

FRONT BLADE ASSEMBLY



ITEM	PART NUMBER	DESCRIPTION	QTY					
			12	14	16	18	19	22
13	PDSC-A11*	SCRAPER ANGLE	2	3	3	3	3	3
14	P0D-CA405	FRONT MUD SCRAPER ASSEMBLY	14	16	18	20	22	24
15	PAXL-1625*	1-5/8" AXLE	2	2	3	3	3	3
16	NUT 1-5/8-5.5	NUT 1-5/8-5.5	4	4	6	6	6	6
17	PDSC-CT023	1-5/8" NUT KEEPER	4	4	6	6	6	6
18	PDSC-CT021	8" END PLATE	4	4	6	6	6	6
19	PWH-BER-OB	11" OIL BATH BEARING	4	4	6	6	6	6
20	PDSC-CA021	11" SPOOL ASSEMBLY	8	10	9	11	13	15
21	PDB-28N	28" NOTCHED DISK	14	16	18	20	22	24

* THE SERIAL NUMBER OF THE EQUIPMENT IS REQUIRED

CALL YOUR LOCAL DEALER FOR PARTS

OFFSET WHEEL HARROW

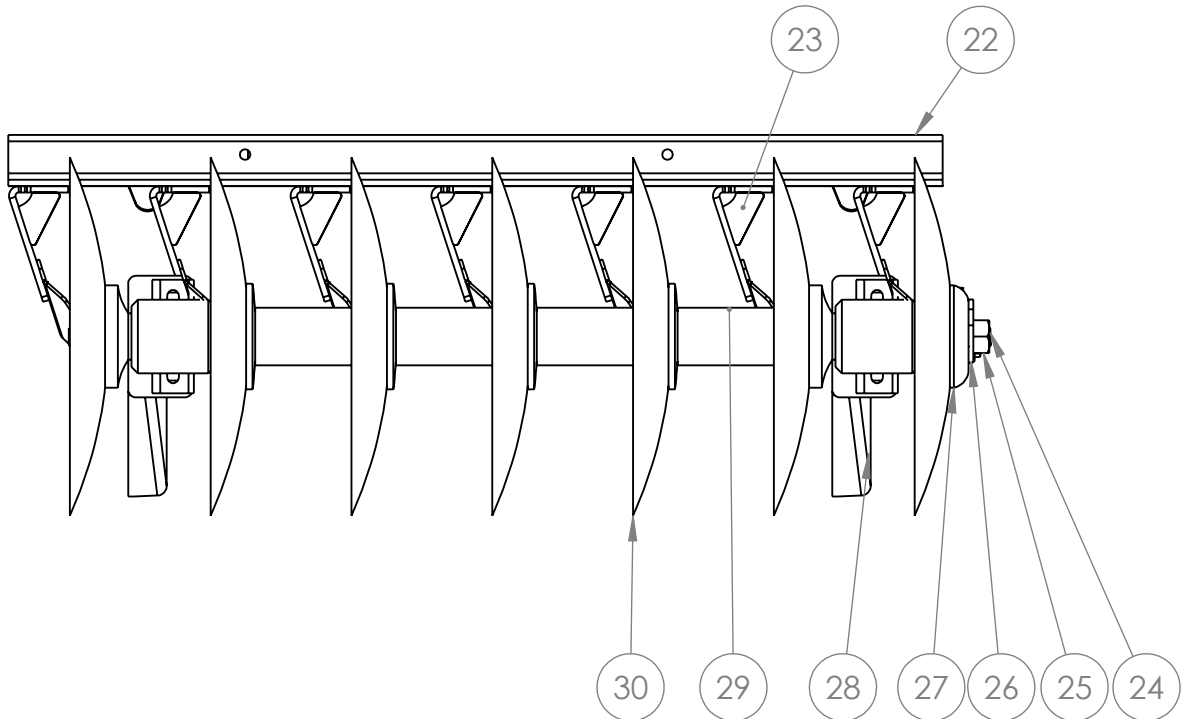
PARTS BOOK

MODELS: PWH12, PWH14, PWH16, PWH18 & PWH19



www.porterswelding.com

REAR BLADE ASSEMBLY



ITEM	PART NUMBER	DESCRIPTION	QTY					
			12	14	16	18	19	22
22	PDSC-A11*	SCRAPER ANGLE	2	2	2	3	3	3
23	POD-CA406	REAR MUD SCRAPER ASSEMBLY	15	17	19	21	23	25
24	PAXL-1625*	1-5/8" AXLE	2	2	3	3	3	3
25	NUT 1-5/8-5.5	NUT 1-5/8-5.5	4	4	6	6	6	6
26	PDSC-CT023	1-5/8" NUT KEEPER	4	4	6	6	6	6
27	PDSC-CT021	8" END PLATE	4	4	6	6	6	6
28	PWH-BER-OB	11" OIL BATH BEARING	4	4	6	6	6	6
29	PDSC-CA021	11" SPOOL ASSEMBLY	9	10	10	12	14	15
30	PDB-28S	28" SMOOTH DISC	14	16	18	20	22	24

* THE SERIAL NUMBER OF THE EQUIPMENT IS REQUIRED

CALL YOUR LOCAL DEALER FOR PARTS

OFFSET WHEEL HARROW

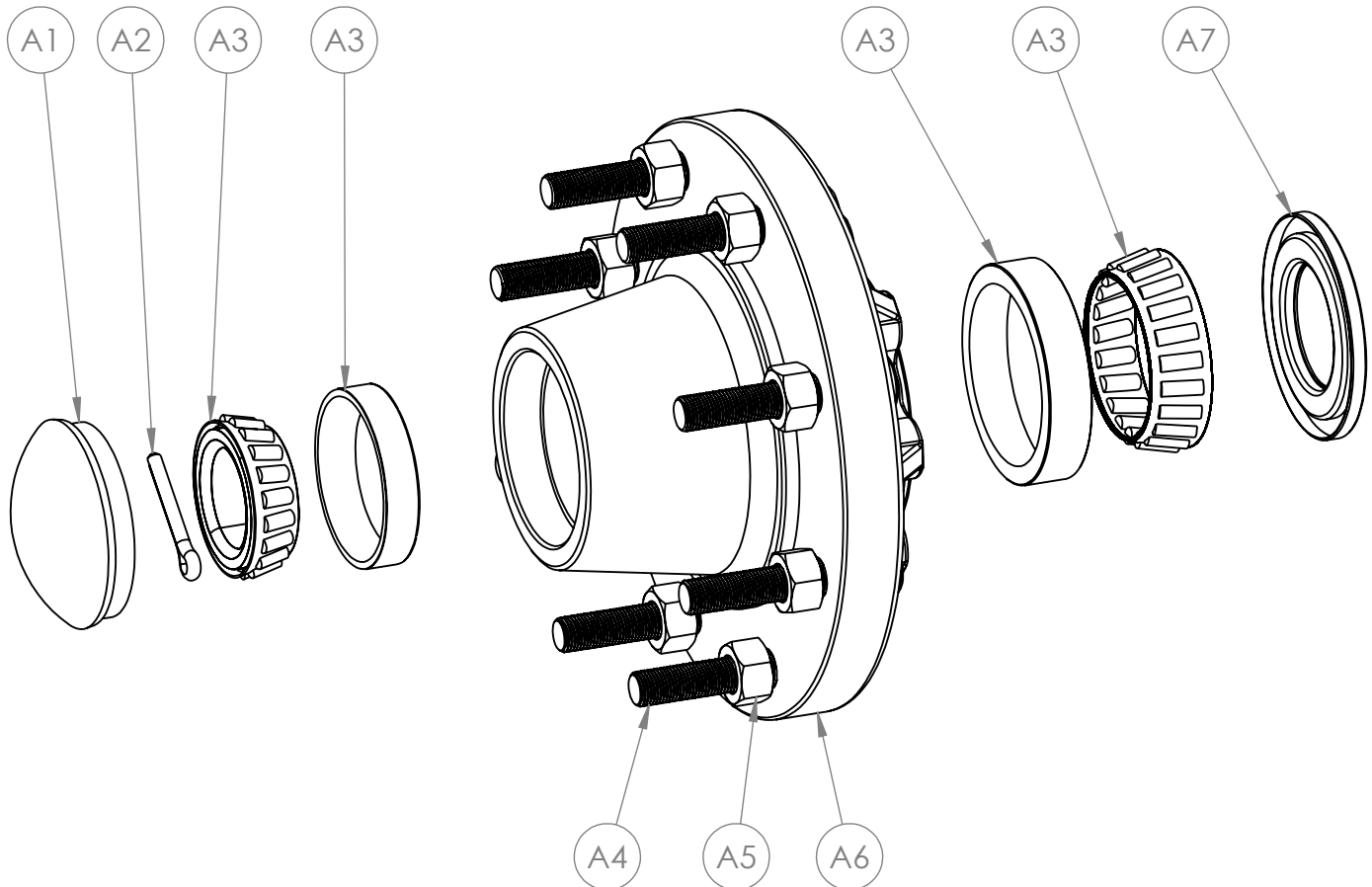
PARTS BOOK

MODELS: PWH12, PWH14, PWH16, PWH18 & PWH19



www.porterswelding.com

8 ON 8 HUB ASSEMBLY



ITEM	PART NUMBER	DESCRIPTION	QTY
A1	PW-LWT015	DUST CAP	1
A2	PW-LWT009	COTTER PIN	1
A3	808-BER	BEARING KIT	1
A4	PW-LWT011	8 ON 8 STUD	8
A5	PW-LWT017	LUG NUT	8
A6	PW-LWT010	8 ON 8 HUB	1
A7	PW-LWT014	SEAL	1