

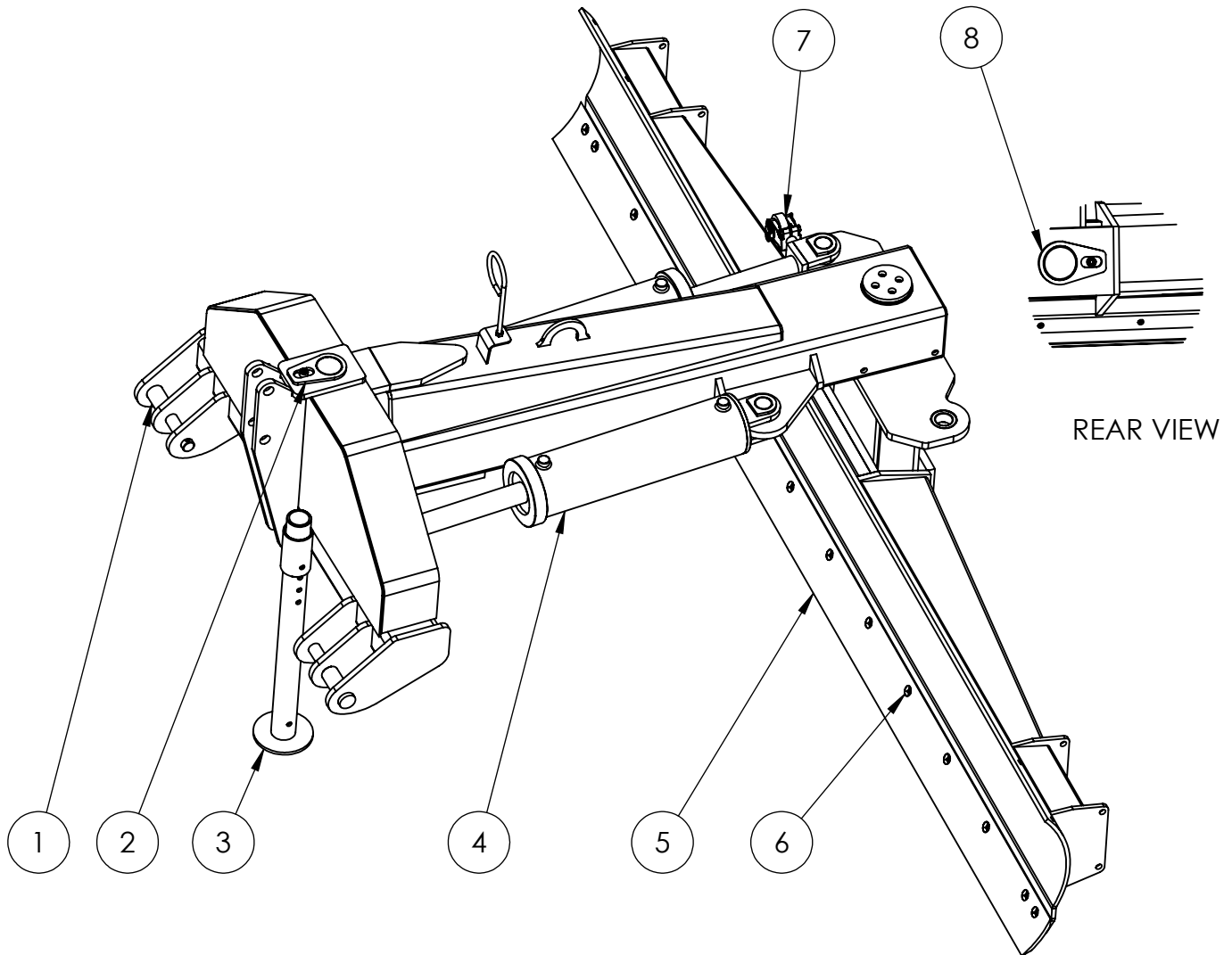
REAR BLADE 35 SERIES

PARTS BOOK

MODELS: PRB3512 & PRB3514



www.porterswelding.com



ITEM	PART NUMBER	DESCRIPTION	QTY
1	PRB35-T006	3PT PIN	2
2	PRB35-CA103	SWING PIN	1
3	PRB35-CA107	PARKING STAND ASSEMBLY	1
4	721-CYL	7 X 21 CYLINDER WELDED	2
5	PRB-BLD*	BLADE	1
6	PRB-BOL*	BLADE BOLT KIT	1
7	358-TRC	3.5 X 8 CYLINDER SAE TIE ROD	1
8	PRB25-CA107	TILT PIN	1

* THE SERIAL NUMBER OF THE EQUIPMENT IS REQUIRED

CALL YOUR LOCAL DEALER FOR PARTS

REAR BLADE 35 SERIES

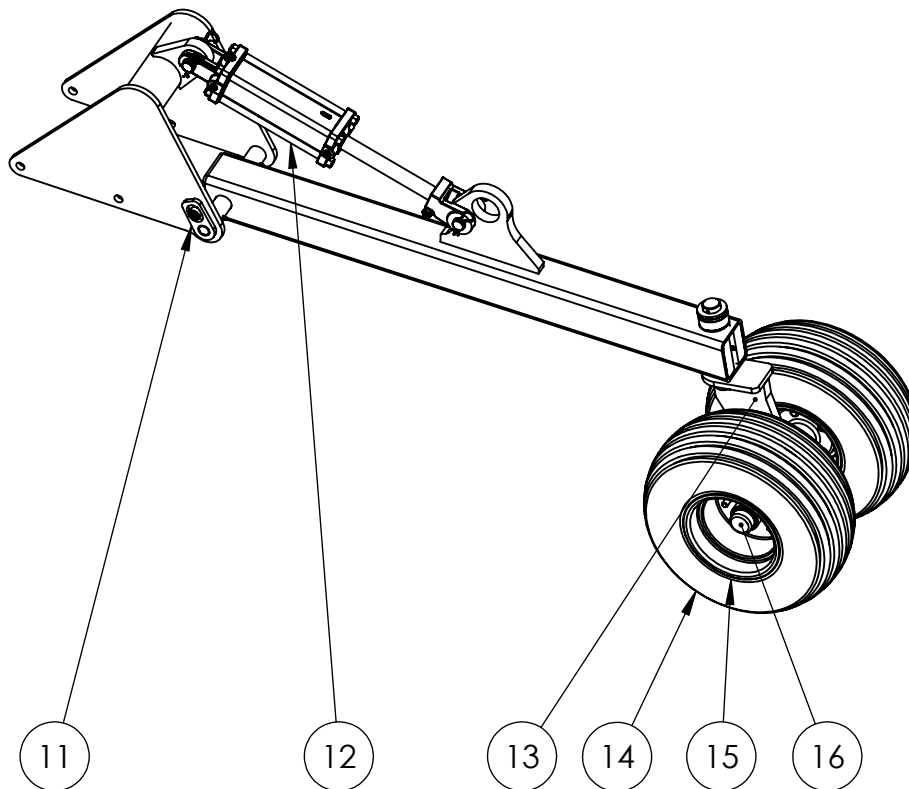
PARTS BOOK

MODELS: PRB3512 & PRB3514

OPTIONAL DUAL GAUGE WHEELS



www.porterswelding.com



ITEM	PART NUMBER	DESCRIPTION	QTY
11	PRB-CA506	PIN	1
12	308-TRC	3 X 8 CYLINDER TIE ROD	1
13	PRB-CA506	PIVOT SPINDLE	1
14	LDD-T101	18/50-8/4 TIRE	2
15	LDD-T102	8 X 7 RIM	2
16	LDD-CA105	5 ON 4.5 HUB ASSEMBLY	2

* THE SERIAL NUMBER OF THE EQUIPMENT IS REQUIRED

CALL YOUR LOCAL DEALER FOR PARTS

REAR BLADE 35 SERIES

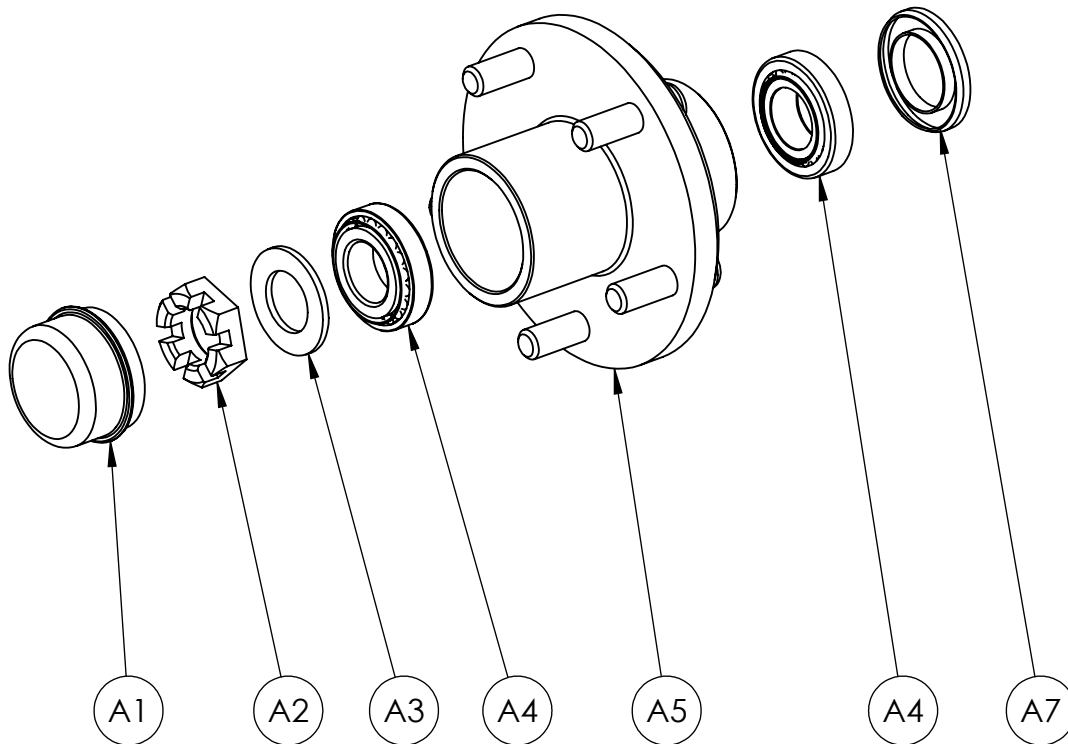
PARTS BOOK

MODELS: PRB3512 & PRB3514

5 ON 4.5 HUB ASSEMBLY



www.porterswelding.com



ITEM	PART NUMBER	DESCRIPTION	QTY
A1	LDD-CT017	DUST CAP	1
A2	LDD-CT016	SPINDLE NUT	1
A3	LDD-CT015	WASHER	1
A4	545-BER	BEARING KIT	1
A5	LDD-CT014	5 ON 4.5 HUB	1
A7	LDD-CT021	SEAL	1

* THE SERIAL NUMBER OF THE EQUIPMENT IS REQUIRED

CALL YOUR LOCAL DEALER FOR PARTS