

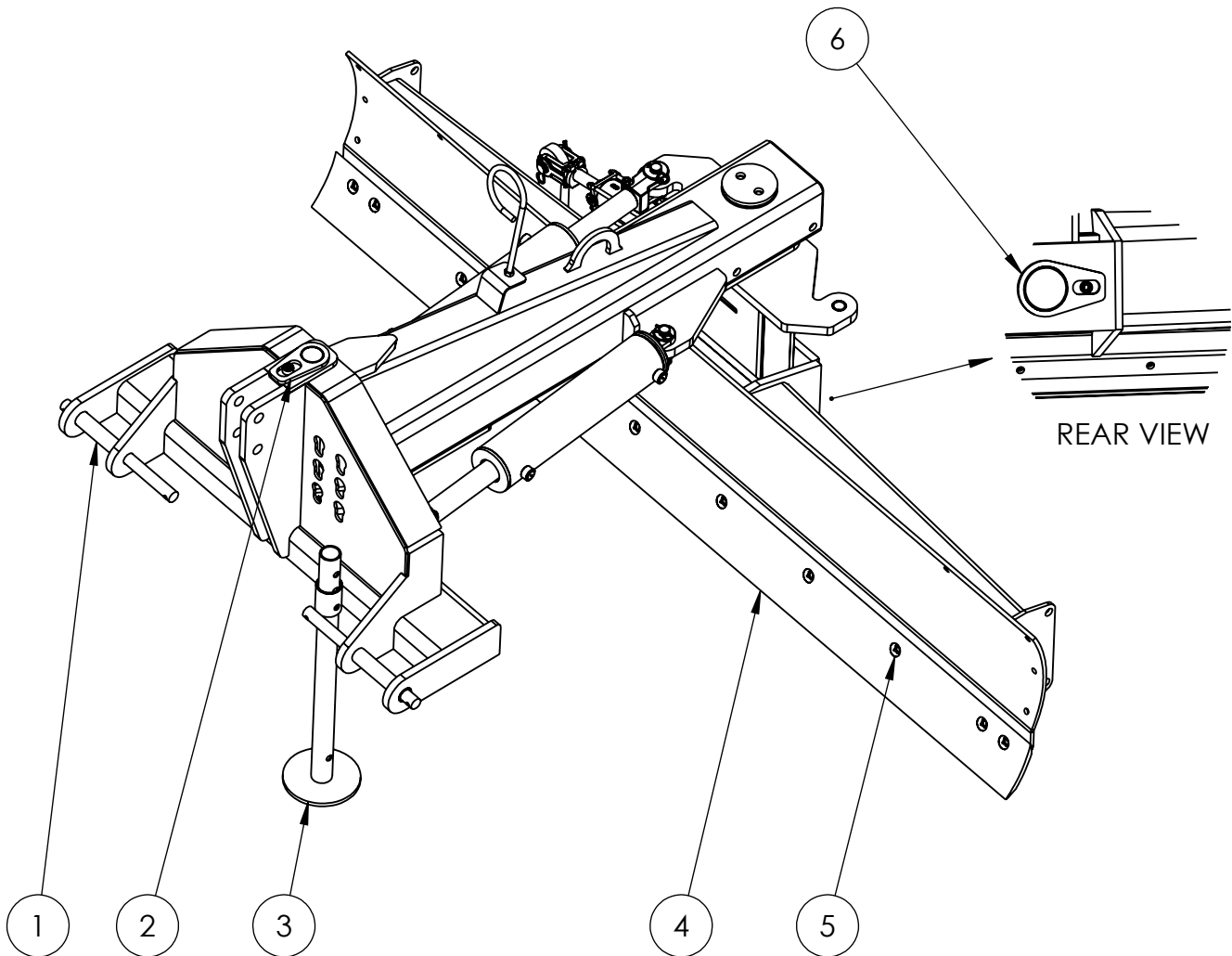
REAR BLADE 15 SERIES

PARTS BOOK

MODELS: PRB1508 & PRB1509



www.porterswelding.com



ITEM	PART NUMBER	DESCRIPTION	QTY
1	PW-LT126	3PT PIN	2
2	PRB15-A502	HITCH PIN	1
3	PW-LA103	PARKING STAND ASSEMBLY	1
4	PRB-BLD*	BLADE	1
5	PRB-BOL*	BLADE BOLT KIT	1
6	PRB-CA202	TILT PIN	1

* THE SERIAL NUMBER OF THE EQUIPMENT IS REQUIRED

CALL YOUR LOCAL DEALER FOR PARTS

REAR BLADE 15 SERIES

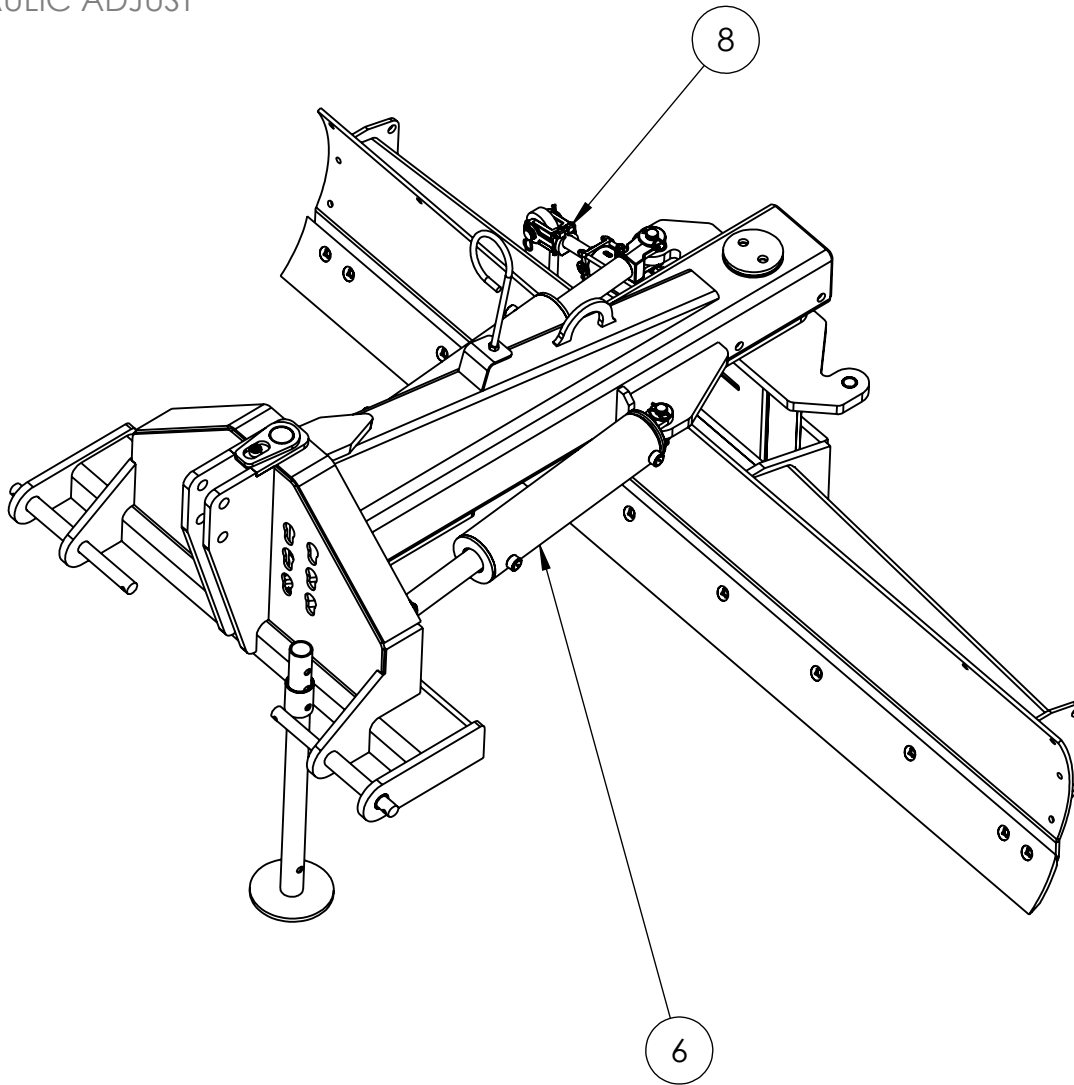
PARTS BOOK

MODELS: PRB1508 & PRB1509

HYDRAULIC ADJUST



www.porterswelding.com



ITEM	PART NUMBER	DESCRIPTION	QTY
7	416-WCY	4 X 16 CYLINDER WELDED	2
8	256-TRC	2.5 X 6 CYLINDER TIE ROD	1

* THE SERIAL NUMBER OF THE EQUIPMENT IS REQUIRED

CALL YOUR LOCAL DEALER FOR PARTS

REAR BLADE 15 SERIES

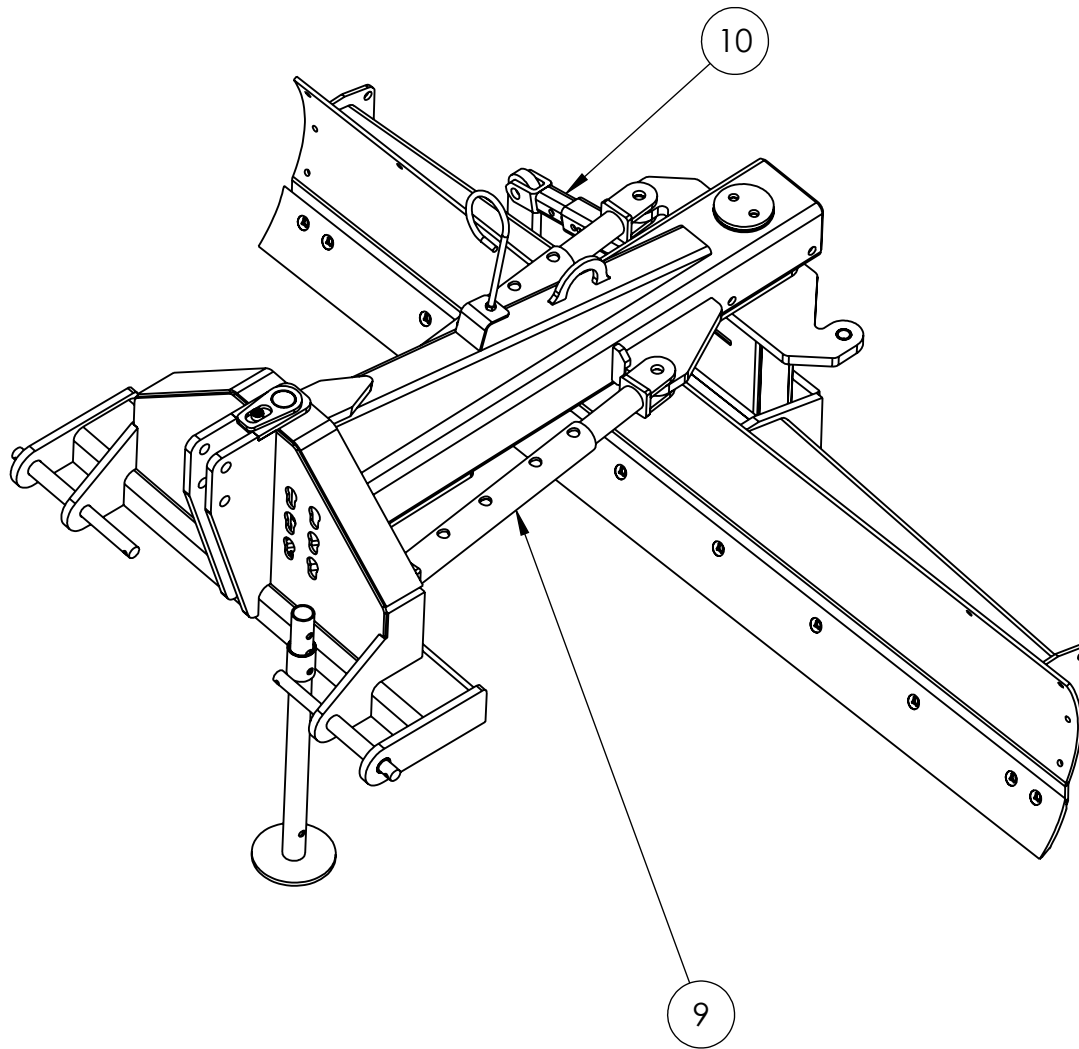
PARTS BOOK

MODELS: PRB1508 & PRB1509

MANUAL ADJUST



www.porterswelding.com



ITEM	PART NUMBER	DESCRIPTION	QTY
9	PRB-CA600	ADJUSTABLE CLEVIS PIPE	2
10	PRB-CA610	ADJUSTABLE CLEVIS TUBE	1

* THE SERIAL NUMBER OF THE EQUIPMENT IS REQUIRED

CALL YOUR LOCAL DEALER FOR PARTS