

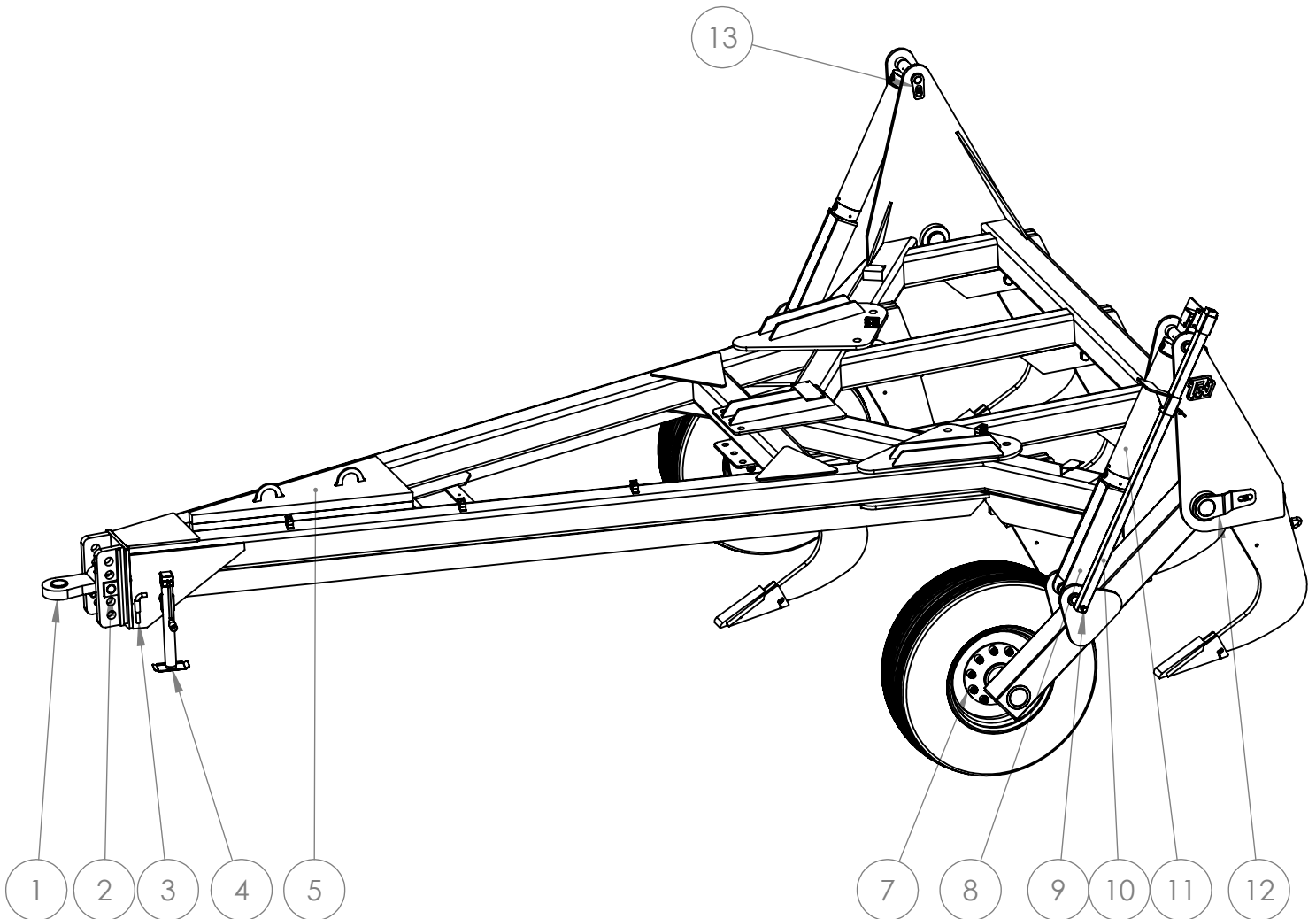
PULL RIPPER 5 & 7 SHANK

PARTS BOOK

MODELS: P53630, P73622, P73624 & P73630



www.porterswelding.com



ITEM	PART NUMBER	DESCRIPTION	QTY
1	PPR-CA222	HITCH ASSEMBLY	1
2	PPR-CA223	HITCH PIN EAR ASSEMBLY	1
3	PPR-CT262	LOCKING PIN	1
4	PW-LT130	15" TRAILER JACK	1
5	PPR-CA207	OPTIONAL COUNTER WEIGHT ASSEMBLY	1
6	PRS-CA001	36" SHANK ASSEMBLY (SEE PAGE 2)	(SEE PAGE 2)
7	10A-HUS-R	HUB ASSEMBLY RIGHT THREAD (SEE PAGE 3)	1
7	10A-HUS-L	HUB ASSEMBLY LEFT THREAD (SEE PAGE 3)	1
8	PPR-CA219	LOCK OUT	2
9	PPR-CA218	DEPTH CONTRL PIN ASSEMBLY	1
10	PPR-CA217	DEPTH CONTROL	1
11	5024-WCY	5 x 24 - CYLINDER WELDED	2
12	PPR-CA220	TRANSPORT PIN ASSEMBLY	2
13	PPR-CA221	CYLINDER PIN EAR ASSEMBLY	1

* THE SERIAL NUMBER OF THE EQUIPMENT IS REQUIRED

CALL YOUR LOCAL DEALER FOR PARTS

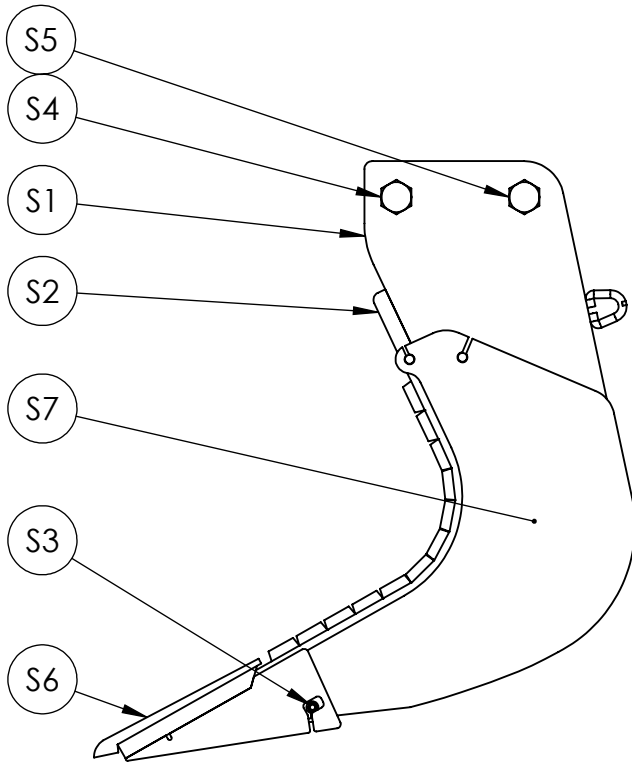
PULL RIPPER 5 & 7 SHANK

PARTS BOOK

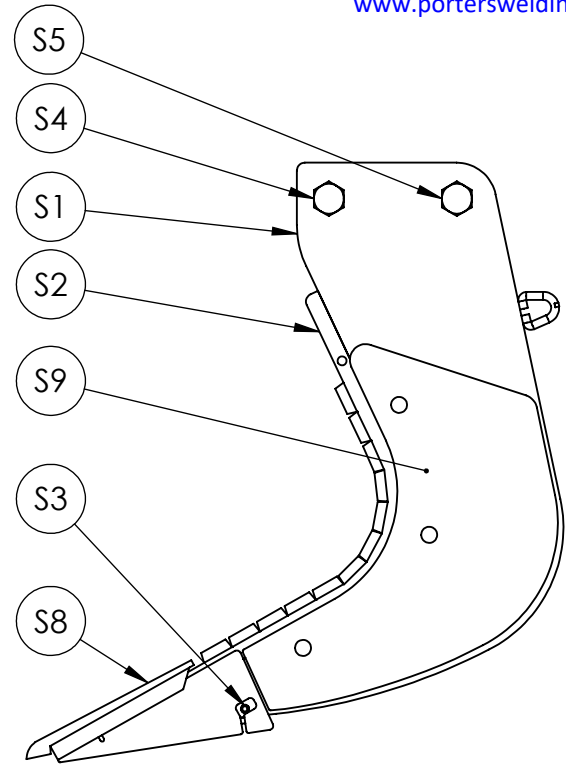
MODELS: P53630, P73622, P73624 & P73630



www.porterswelding.com



BOLT-ON



WELD-ON

ITEM NO.	PART NUMBER	DESCRIPTION	BOLT ON/QTY.	WELD ON/QTY.
S1	PRS-CT001	36" SHANK	1	1
S2	PRS-CT003	CHROME SHIN GUARD	1	1
S3	3R-PIN	3" ROLL PIN	1	1
S4	PW-LT121	SHEAR BOLT	1	1
S5	PB-125	PIVOT BOLT	1	1
S6	PRP-A101	2" RIPPER POINT	1	-
S7	PRS-CT002	BOLT-ON WEAR GUARD	2	-
S8	PRP-A102	1-1/2" RIPPER POINT	-	1
S9	36-WG	WELD-ON WEAR GUARD	-	2

MODEL	SHANK QTY
P53630	5
P73622	7
P73624	7
P73630	7

* THE SERIAL NUMBER OF THE EQUIPMENT IS REQUIRED

CALL YOUR LOCAL DEALER FOR PARTS

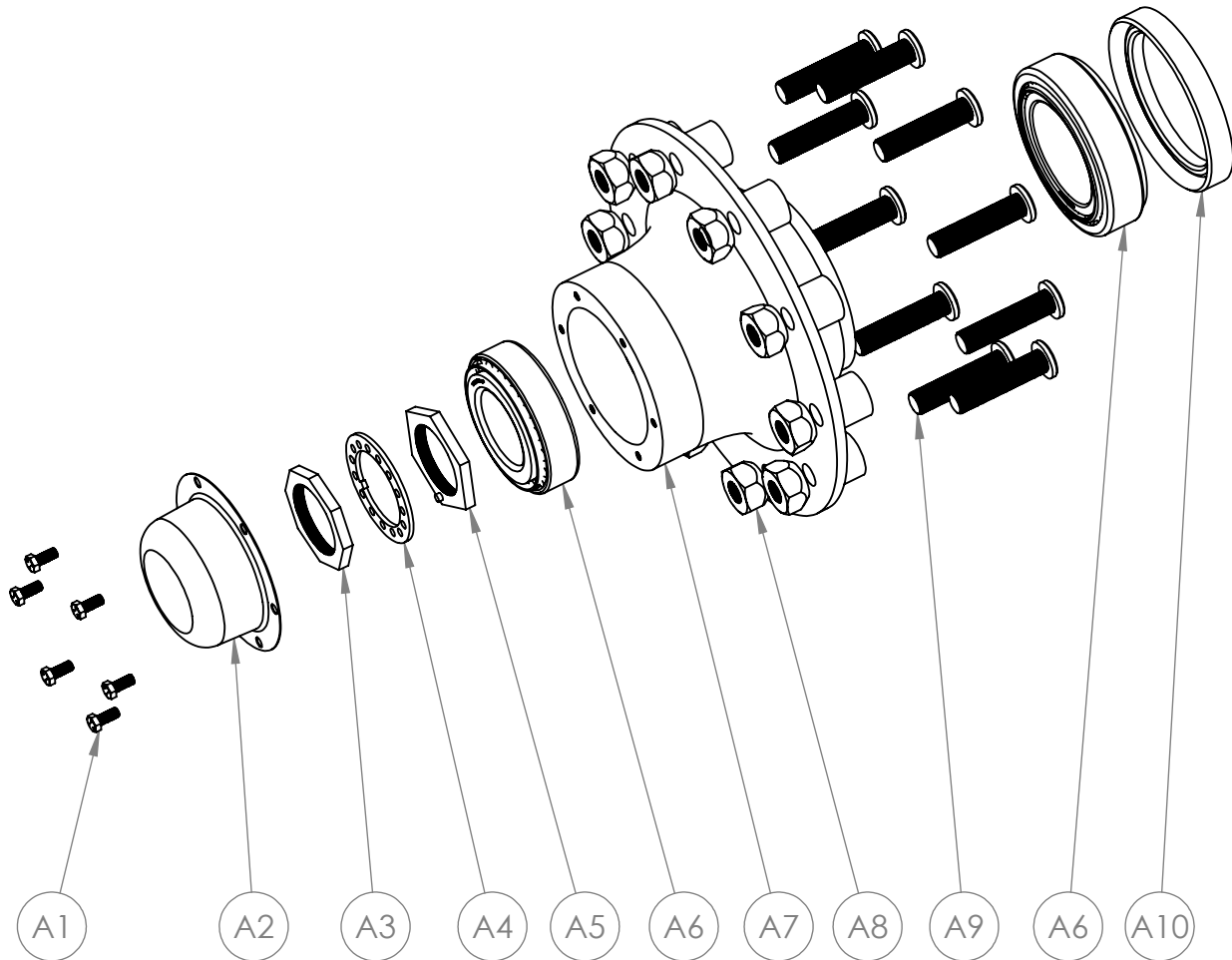
PULL RIPPER 5 & 7 SHANK

PARTS BOOK

MODELS: P53630, P73622, P73624 & P73630



www.porterswelding.com



ITEM	PART NUMBER	DESCRIPTION	QTY
A1	-	5/16" BOLT	6
A2	LEC-DUC	DUST CAP	1
A3	10A-NUT-O	OUTER NUT	1
A4	10A-WAS	WASHER	1
A5	10A-NUT-I	INNER NUT	1
A6	LEC-WH-BER	BEARING KIT	1
A7	10A-HUB-R	HUB RIGHT THREAD	1
A7	10A-HUB-L	HUB LEFT THREAD	1
A8	10A-LUG-R	LUG NUT RIGHT THREAD	10
A8	10A-LUG-L	LUG NUT LEFT THREAD	10
A9	10A-STD-R	STUD RIGHT THREAD	10
A9	10A-STD-L	STUD LEFT THREAD	10
A10	LEC-WH-SEL	SEAL	1

* THE SERIAL NUMBER OF THE EQUIPMENT IS REQUIRED

CALL YOUR LOCAL DEALER FOR PARTS

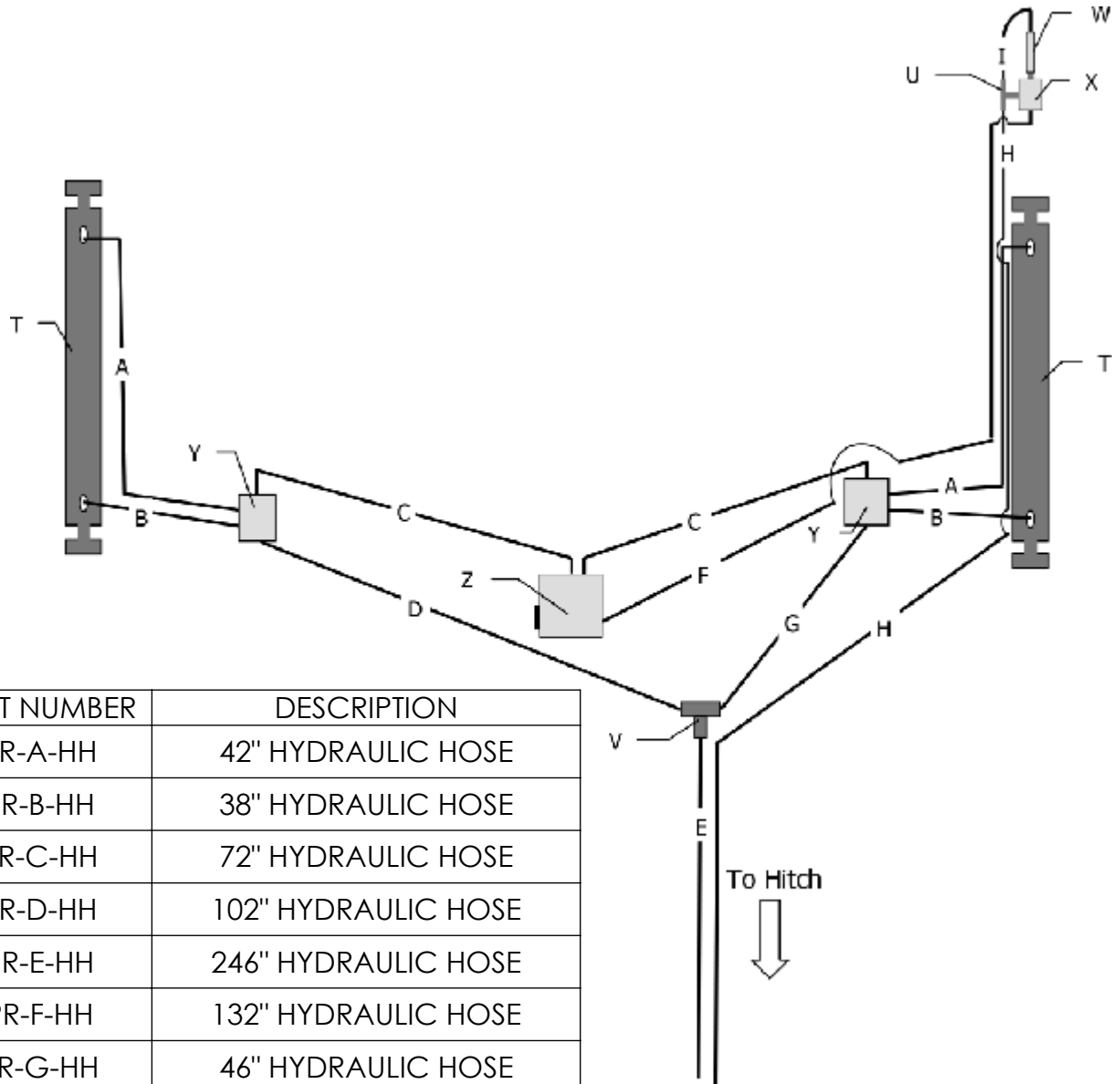
PULL RIPPER 5 & 7 SHANK

PARTS BOOK

MODELS: P53630, P73622, P73624 & P73630



www.porterswelding.com



ITEM	PART NUMBER	DESCRIPTION
A	PR-A-HH	42" HYDRAULIC HOSE
B	PR-B-HH	38" HYDRAULIC HOSE
C	PR-C-HH	72" HYDRAULIC HOSE
D	PR-D-HH	102" HYDRAULIC HOSE
E	PR-E-HH	246" HYDRAULIC HOSE
F	PR-F-HH	132" HYDRAULIC HOSE
G	PR-G-HH	46" HYDRAULIC HOSE
H	PR-H-HH	348" HYDRAULIC HOSE
I	PR-I-HH	18" HYDRAULIC HOSE
T	5024-WCY	5 X 24 - CYLINDER WELDED
U	PR-U-HH	HYDRAULIC TEE
V	PR-V-HH	HYDRAULIC TEE
W	PR-W-HH	CHECK VALVE
X	PR-X-HH	FLOW CONTROL VALVE
Y	PR-Y-HH	PO CHECK VALVE
Z	PR-Z-HH	GEAR FLOW DIVIDER

* THE SERIAL NUMBER OF THE EQUIPMENT IS REQUIRED

CALL YOUR LOCAL DEALER FOR PARTS