

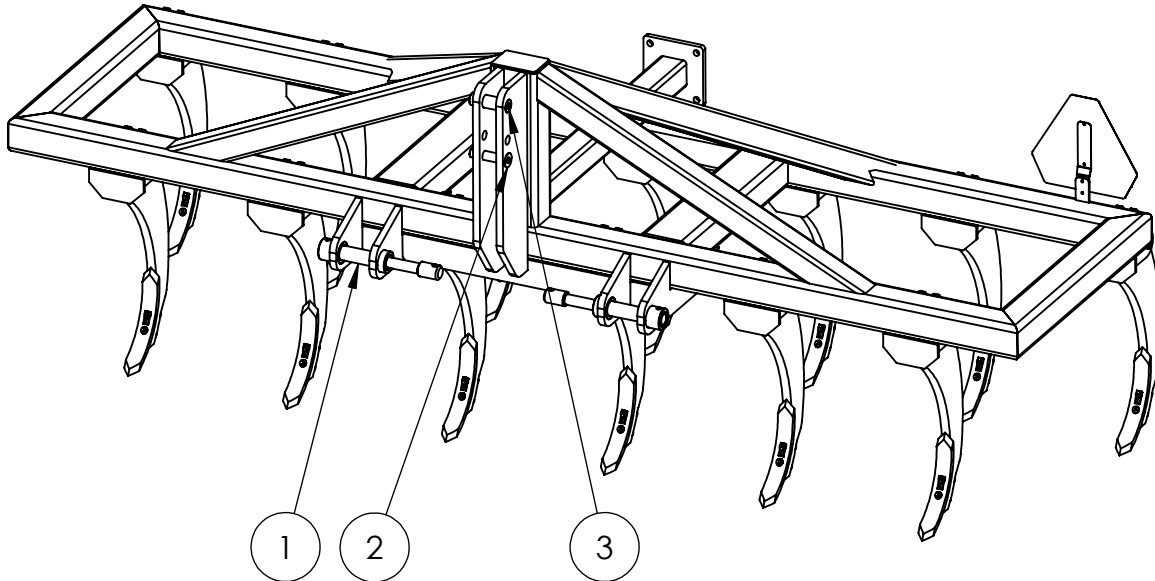
# 2 BAR FINISHING CHISEL

## PARTS BOOK

MODELS: PFC-213, PFC-215 & PFC-217



[www.porterswelding.com](http://www.porterswelding.com)



ITEM	PART NUMBER	DESCRIPTION	QTY
1	PW-LT115	3PT HITCH PIN	2
2	PW-LA122	3PT PIN LOWER	1
3	PW-LA121	3PT PIN UPPER	1

\* THE SERIAL NUMBER OF THE EQUIPMENT IS REQUIRED

CALL YOUR LOCAL DEALER FOR PARTS

# 2 BAR FINISHING CHISEL

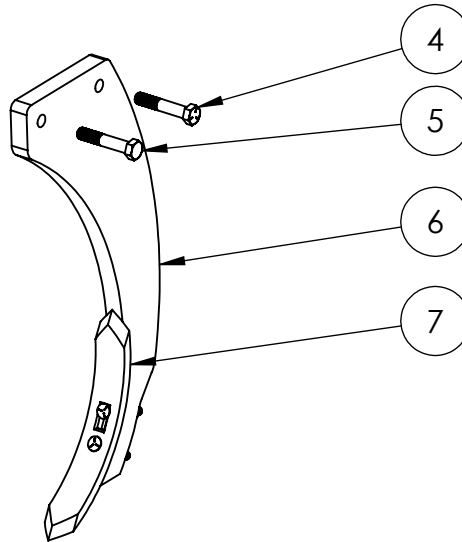
## PARTS BOOK

MODELS: PFC-213, PFC-215 & PFC-217



[www.porterswelding.com](http://www.porterswelding.com)

### SHANK



ITEM	DESCRIPTION
4	3/4 GRADE 5 BOLT

MODEL	QTY
PFC-213	13
PFC-215	15
PFC-217	17

ITEM	DESCRIPTION
5	3/4 GRADE 2 BOLT

MODEL	QTY
PFC-213	13
PFC-215	15
PFC-217	17

ITEM	PART NUMBER	DESCRIPTION
6	PFC-CT403	FINISH SHANK

MODEL	QTY
PFC-213	13
PFC-215	15
PFC-217	17

ITEM	PART NUMBER	DESCRIPTION
7	FC-PNT	POINT

MODEL	QTY
PFC-213	13
PFC-215	15
PFC-217	17

\* THE SERIAL NUMBER OF THE EQUIPMENT IS REQUIRED

CALL YOUR LOCAL DEALER FOR PARTS

# 2 BAR FINISHING CHISEL

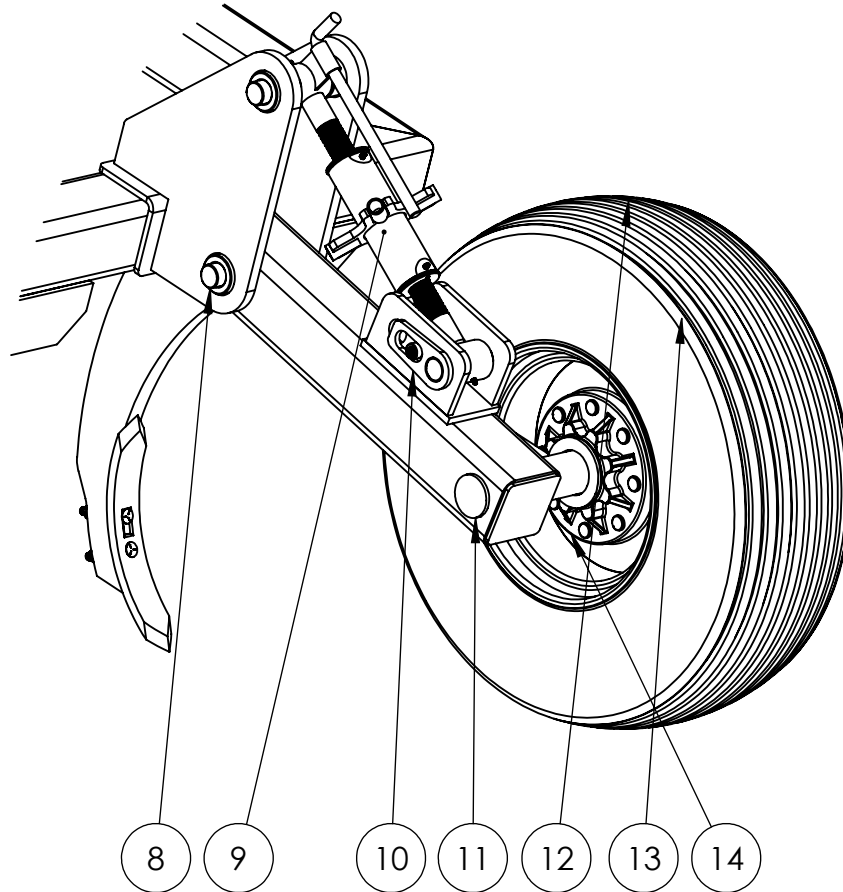
## PARTS BOOK

MODELS: PFC-213, PFC-215 & PFC-217



[www.porterswelding.com](http://www.porterswelding.com)

OPTIONAL SINGLE TIRE



ITEM	PART NUMBER	DESCRIPTION	QTY
8	PFF-A102	PIN 1	2
9	PFC-CA401	TURNBUCKLE	1
10	PFF-CA303	LOWER PIN	1
11	PFF-CA702	SPINDLE WITH SPACER	1
12	PW-LWT035	12.5L-16SL TIRE	1
13	PW-LT024	16 X 8 RIM	1
14	PW-LWA002	8 ON 8 HUB ASSEMBLY	1

\* THE SERIAL NUMBER OF THE EQUIPMENT IS REQUIRED

CALL YOUR LOCAL DEALER FOR PARTS

# 2 BAR FINISHING CHISEL

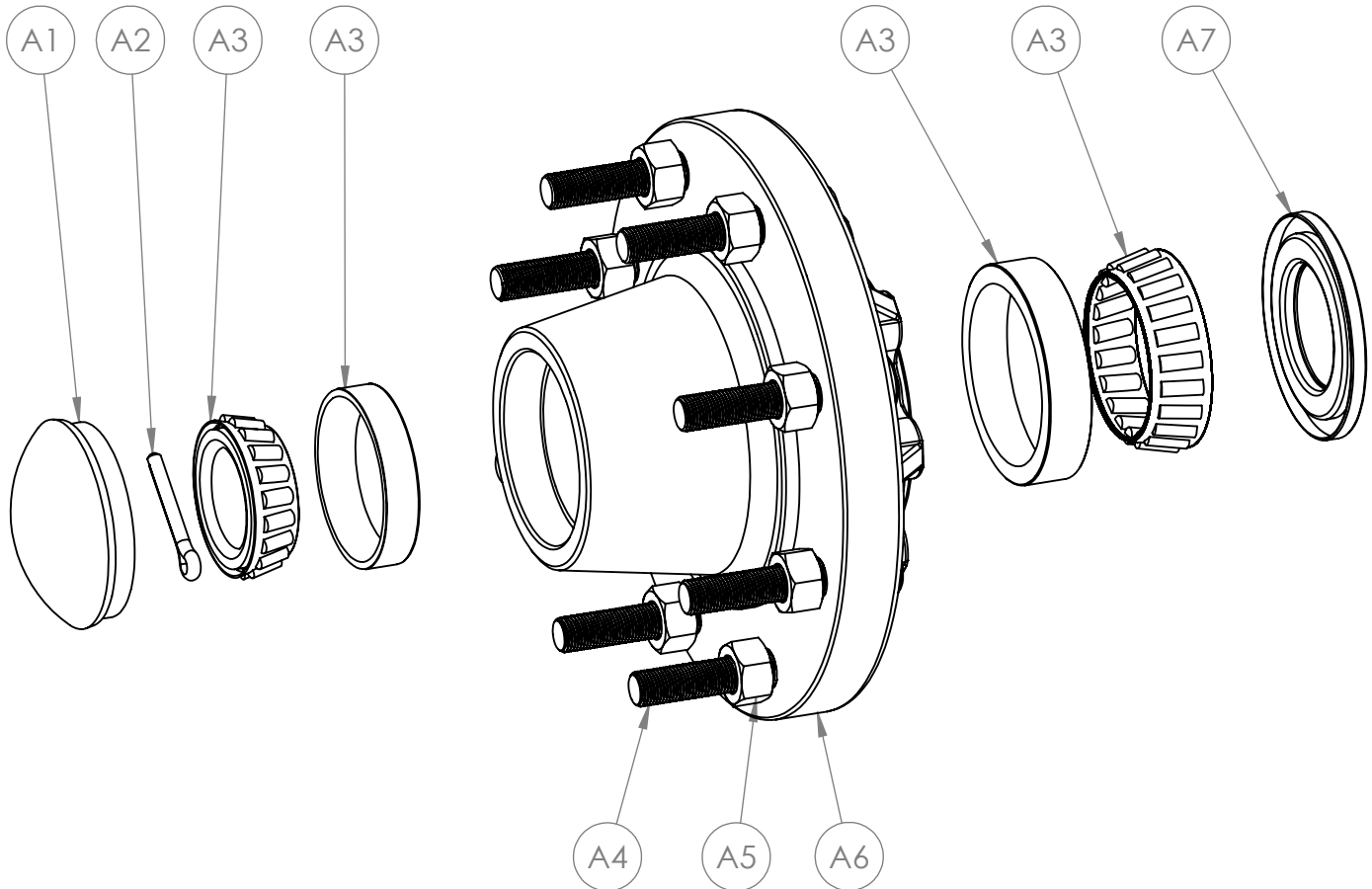
## PARTS BOOK

MODELS: PFC-213, PFC-215 & PFC-217



[www.porterswelding.com](http://www.porterswelding.com)

### 8 ON 8 HUB ASSEMBLY



ITEM	PART NUMBER	DESCRIPTION	QTY
A1	PW-LWT015	DUST CAP	1
A2	PW-LWT009	COTTER PIN	1
A3	808-BER	BEARING KIT	1
A4	PW-LWT011	8 ON 8 STUD	8
A5	PW-LWT017	LUG NUT	8
A6	PW-LWT010	8 ON 8 HUB	1
A7	PW-LWT014	SEAL	1