

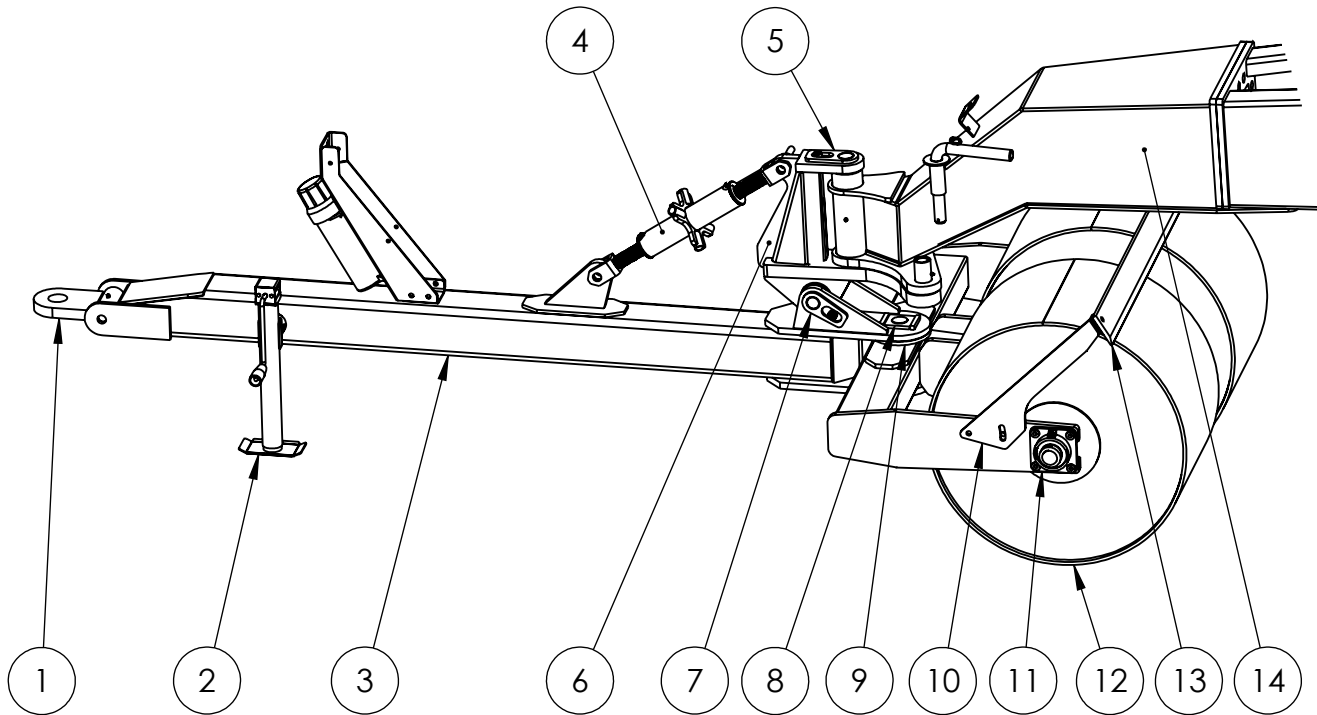
HYDRAULIC FOLDING TRI PLANE

PARTS BOOK

MODEL: FTRI24



www.porterswelding.com



ITEM NO.	PART NUMBER	DESCRIPTION	QTY
1	FTP-CA202	HITCH	1
2	PW-LT130	15" TRAILER JACK	1
3	FTP-CA201	TONGUE	1
4	FTP-CA244	TURNBUCKLE TRANSPORT	1
5	FTP-CA105	TONGUE SWING PIN ASSEMBLY	1
6	FTP-CA220	TONGUE PIVOT ASSEMBLY	1
7	FTP-CA106	TONGUE PIVOT PIN ASSEMBLY	1
8	FTP-CA107	FRONT WHEEL THREADED PIN	1
8	CASTLE NUT	1-1/2"-6 CASTLE NUT	1
9	FTP-CT312	FRONT WHEEL WASHER	1
10	FTP-CA242	WHEEL SCRAPER HOLDER LEFT	1
10	FTP-CA241	WHEEL SCRAPER HOLDER RIGHT	1
11	STW-BER	1-3/4" BEARING	4
12	FTP-CA240	18" STEEL WHEEL	2
13	FTP-CT247	18" STEEL WHEEL SCRAPER	1
14	FTP-CA301	GOOSENECK ASSEMBLY	1

* THE SERIAL NUMBER OF THE EQUIPMENT IS REQUIRED

CALL YOUR LOCAL DEALER FOR PARTS

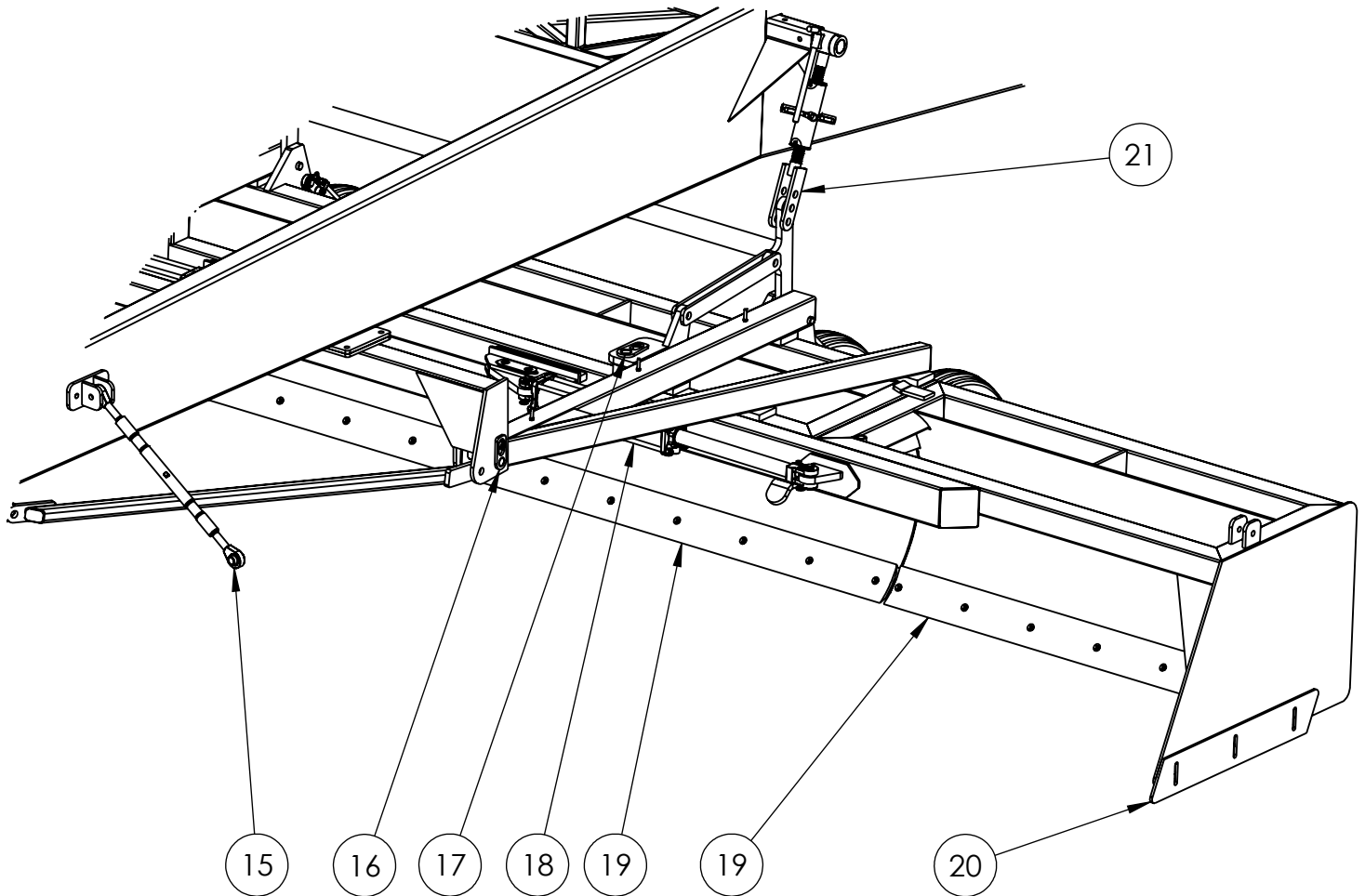
HYDRAULIC FOLDING TRI PLANE

PARTS BOOK

MODEL: FTRI24



www.porterswelding.com



ITEM NO.	PART NUMBER	DESCRIPTION	QTY
15	FTP-CT112	TURNBUCKLE	1
16	FTP-CA109	TRAILING ARM PIN	1
17	FTP-CA707	SWING ARM PIN	2
18	420-TRC	4 X 20 CYLINDER TIE ROD	2
19	126-BLD*	BLADES	SET (3)
19	126-BOL*	BLADE BOLT KIT	1
20	SLB-T007	SLOBBER BIT	SET (2)
20	TRI-SLB-BK	SLOBBER BIT BOLT KIT	1
21	FTP-CA753	TURNBUCKLE BUCKET	2

* THE SERIAL NUMBER OF THE EQUIPMENT IS REQUIRED

CALL YOUR LOCAL DEALER FOR PARTS

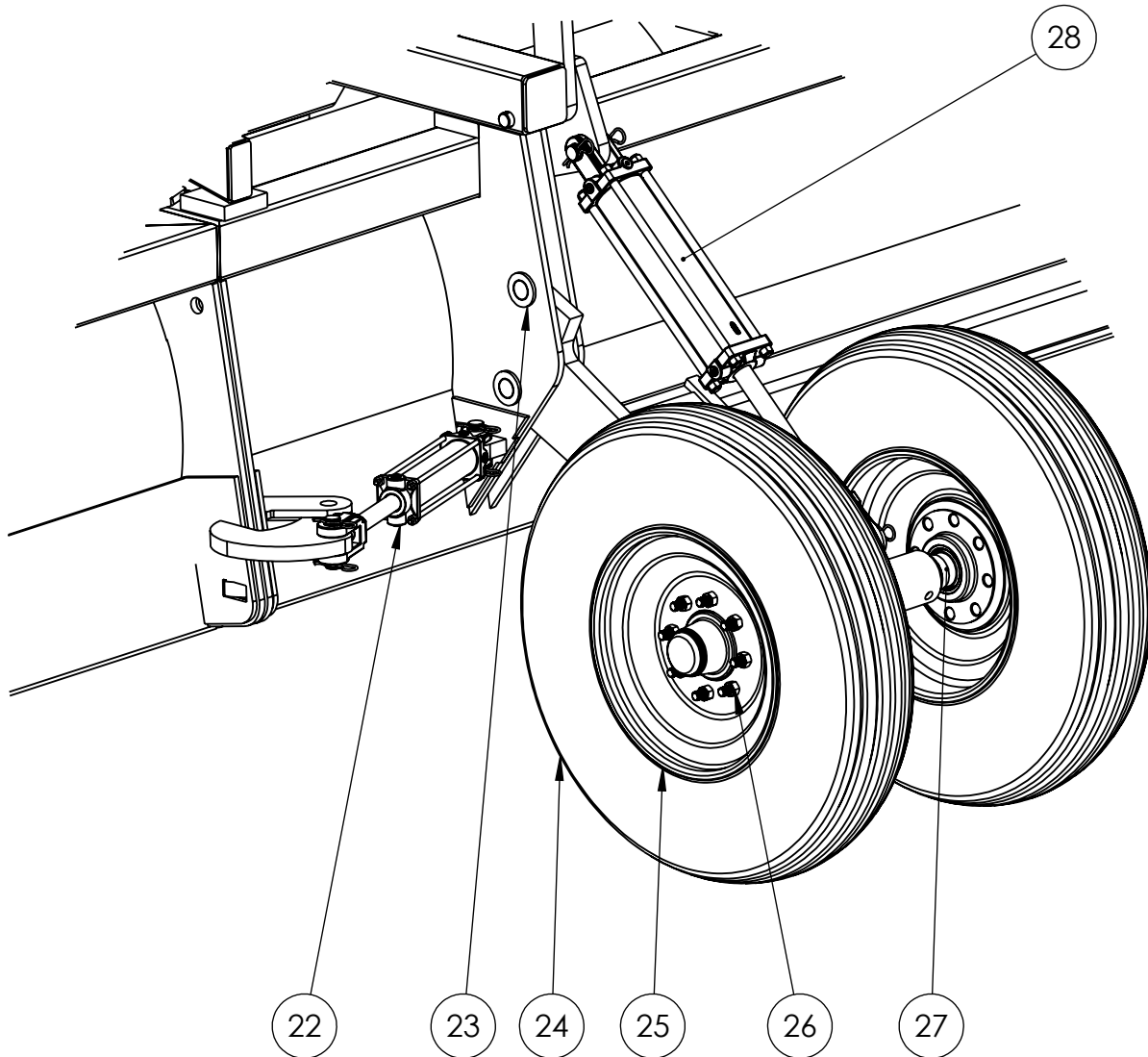
HYDRAULIC FOLDING TRI PLANE

PARTS BOOK

MODEL: FTRI24



www.porterswelding.com



ITEM NO.	PART NUMBER	DESCRIPTION	QTY
22	206-TRC	2 X 6 CYLINDER TIE ROD	2
23	FTP-CA758	AXLE LOCK PIN	4
24	PW-LWT033	7.5-16/10 TIRE	4
25	PW-LWT025	16 X 6 WHEEL	4
26	PW-LWA003	8 ON 6.5 HUB	4
27	FTP-CT808	8 X 6.5 SPINDLE	4
28	312-TRC	3 X 12 CYLINDER TIE ROD	2

* THE SERIAL NUMBER OF THE EQUIPMENT IS REQUIRED

CALL YOUR LOCAL DEALER FOR PARTS

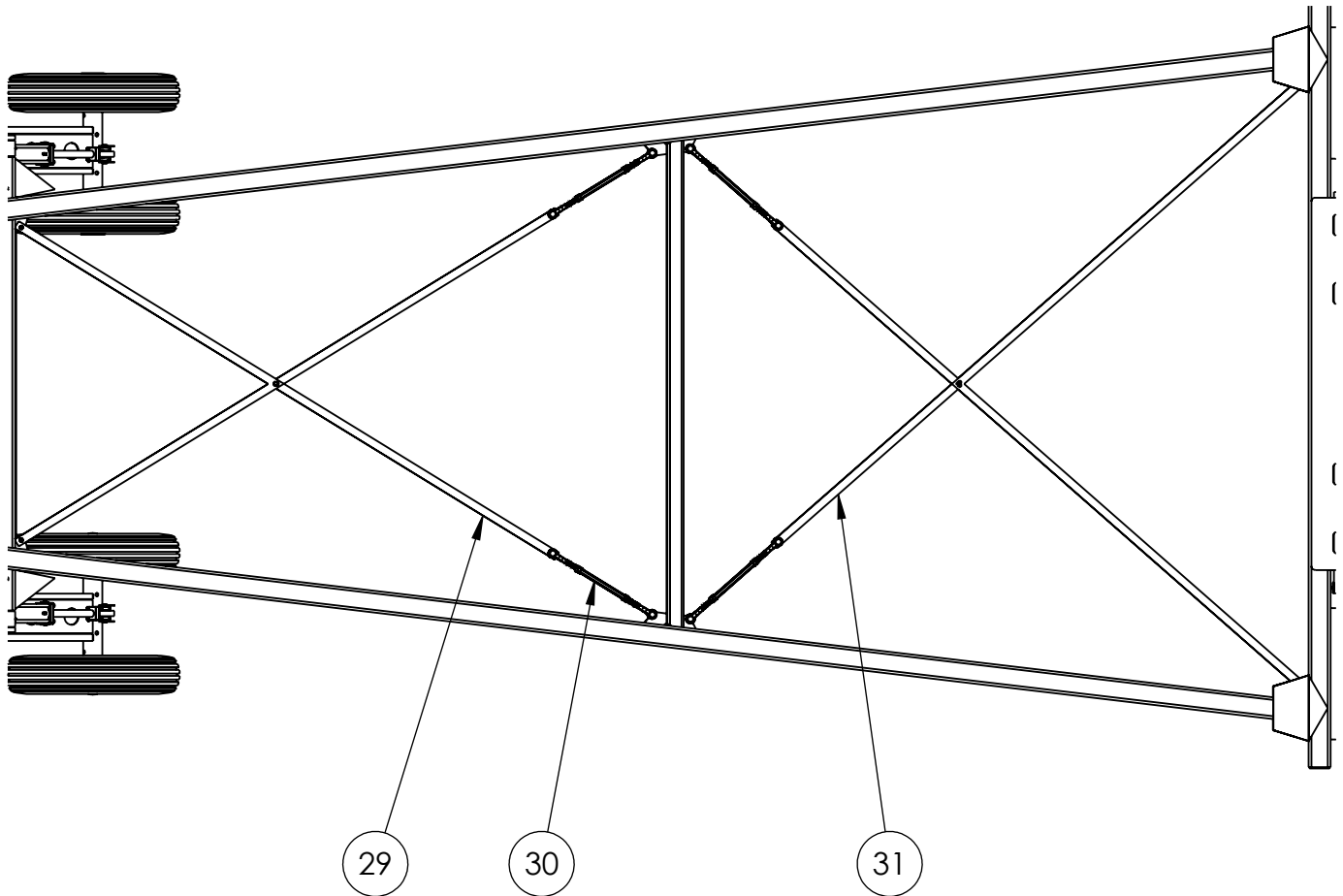
HYDRAULIC FOLDING TRI PLANE

PARTS BOOK

MODEL: FTRI24



www.porterswelding.com



ITEM NO.	PART NUMBER	DESCRIPTION	QTY
29	FTP-CT101	CENTER CROSS BRACE	2
30	TLK-TRN	3/4" TURN BUCKLE	4
31	FTP-CT102	REAR CROSS BRACE	2

* THE SERIAL NUMBER OF THE EQUIPMENT IS REQUIRED

CALL YOUR LOCAL DEALER FOR PARTS

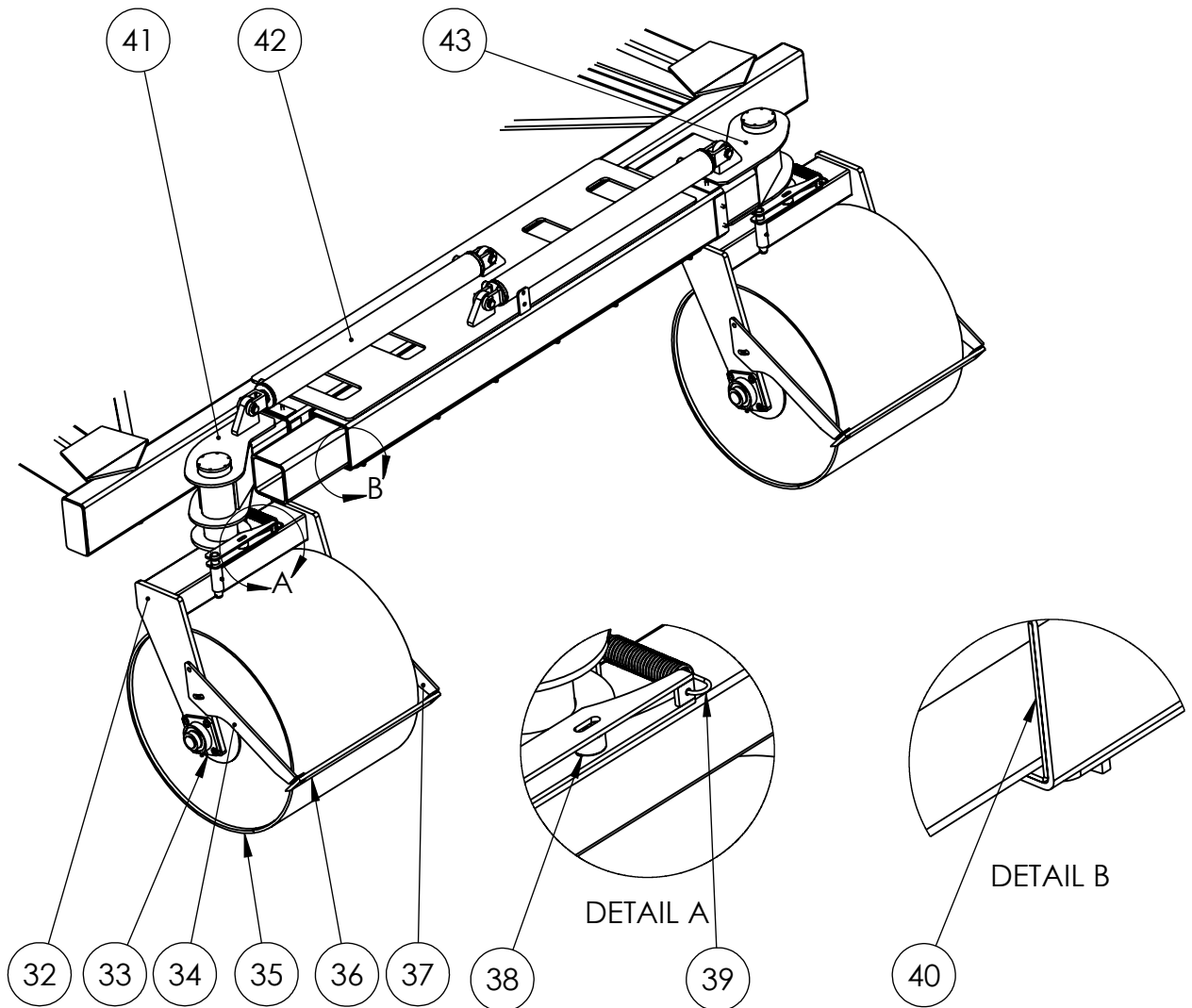
HYDRAULIC FOLDING TRI PLANE

PARTS BOOK

MODEL: FTIR24



www.porterswelding.com



ITEM NO.	PART NUMBER	DESCRIPTION	QTY
32	FTP-CA503	WALKER ASSEMBLY	2
33	STW-BER	1-3/4" BEARING	4
34	FTP-CA242	WHEEL SCRAPER HOLDER LEFT	2
35	FTP-CA505	24" STEEL WHEEL	2
36	FTP-CT520	24" STEEL WHEEL SCRAPER	2
37	FTP-CA241	WHEEL SCRAPER HOLDER RIGHT	2
38	SWE-BER	CAM FOLLER ROLLER BEARING	2
39	FTP-CT521	SPRING	2
40	FTP-CT435	SLIDE (UHMW)	8
41	FTP-CA509	SLIDE TUBE LEFT	1
42	336-WCY	3 X 36 CYLINDER WELDED	2
43	FTP-CA508	SLIDE TUBE RIGHT	1

* THE SERIAL NUMBER OF THE EQUIPMENT IS REQUIRED

CALL YOUR LOCAL DEALER FOR PARTS

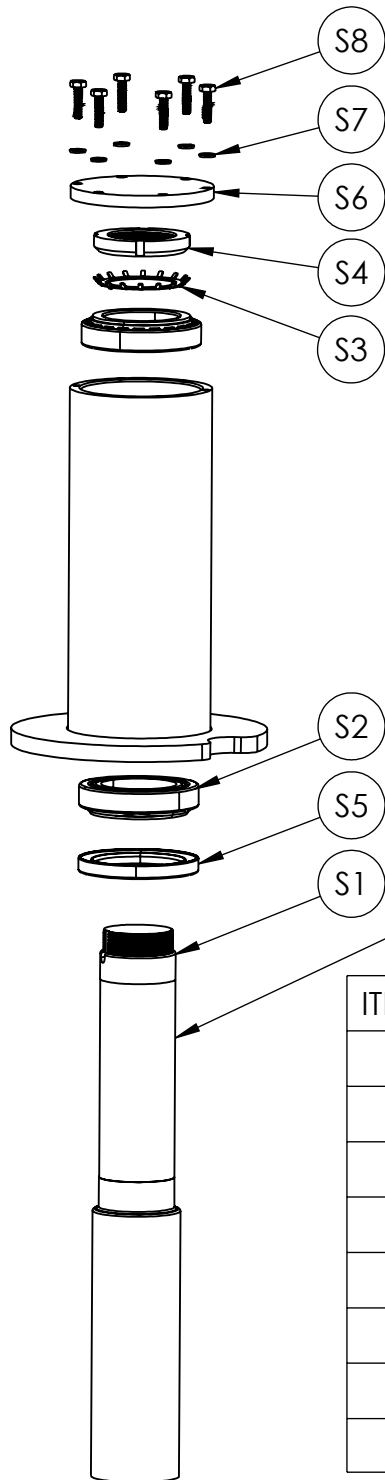
HYDRAULIC FOLDING TRI PLANE

PARTS BOOK

MODEL: FTRI24



www.porterswelding.com



NOTE: REQUIRES WELDING TO REPLACE

ITEM NO.	PART NUMBER	DESCRIPTION	QTY.
S1	FTP-CT512*	SPINDLE	1
S2	BER-KIT	BEARING KIT	2
S3	FTP-CT524	CRAZY WHEEL STAR WASHER	1
S4	FTP-CT523	CRAZY WHEEL LOCK NUT	1
S5	INT-SAL	SEAL	1
S6	FTP-CT522	FOLD ARM BUSHING CAP	1
S7	LOCK WASHER	1/4" LOCK WASHER	6
S8	BOLT	1/4-20 X 1"	6

* THE SERIAL NUMBER OF THE EQUIPMENT IS REQUIRED

CALL YOUR LOCAL DEALER FOR PARTS

HYDRAULIC FOLDING TRI PLANE

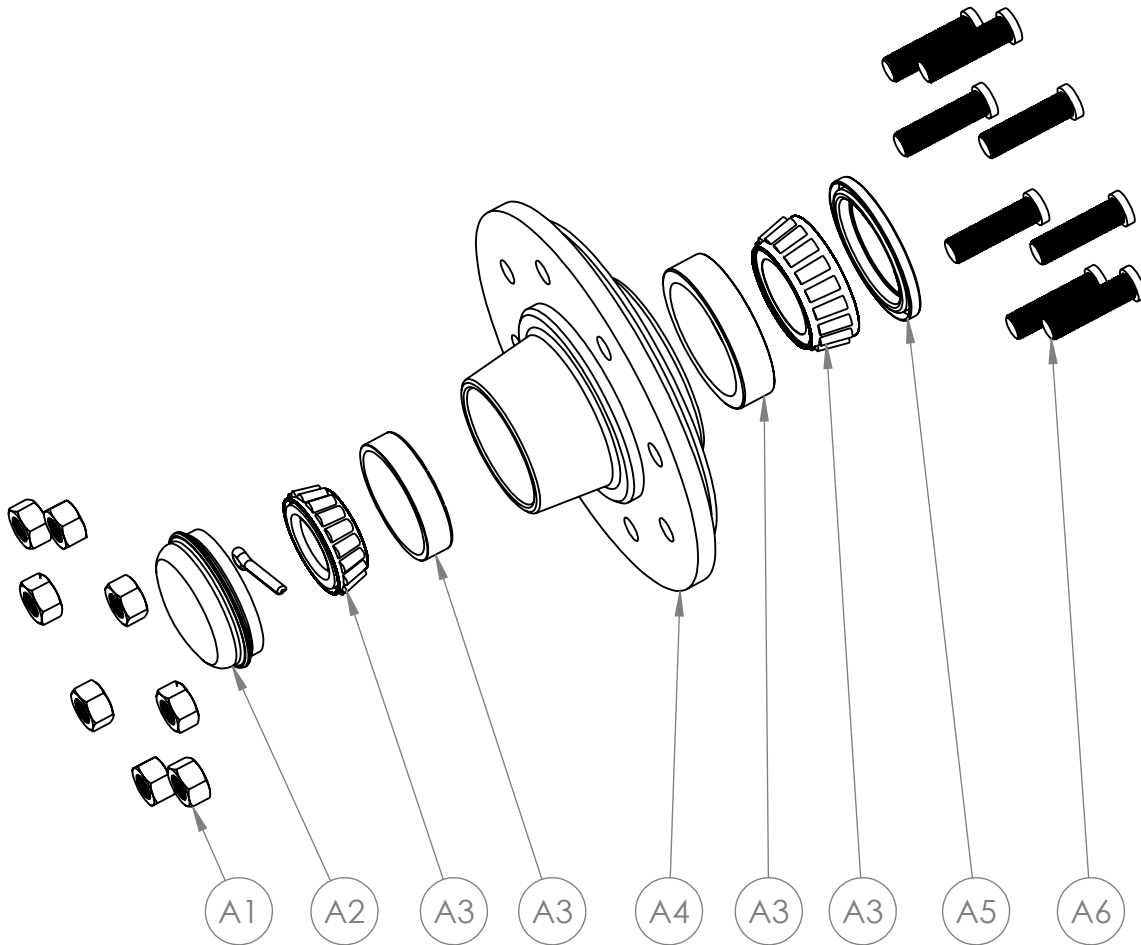
PARTS BOOK

MODEL: FTRI24



www.porterswelding.com

8 ON 6.5 HUB ASSEMBLY



ITEM	PART NUMBER	DESCRIPTION	QTY
A1	PW-LWT016	LUG NUT	8
A2	PW-LWT046	DUST CAP	1
A3	806-BER	BEARING KIT	1
A4	PW-LWT004	8 ON 6.5 HUB	1
A5	PW-LWT045	SEAL	1
A6	PW-LWT002	STUD	8