

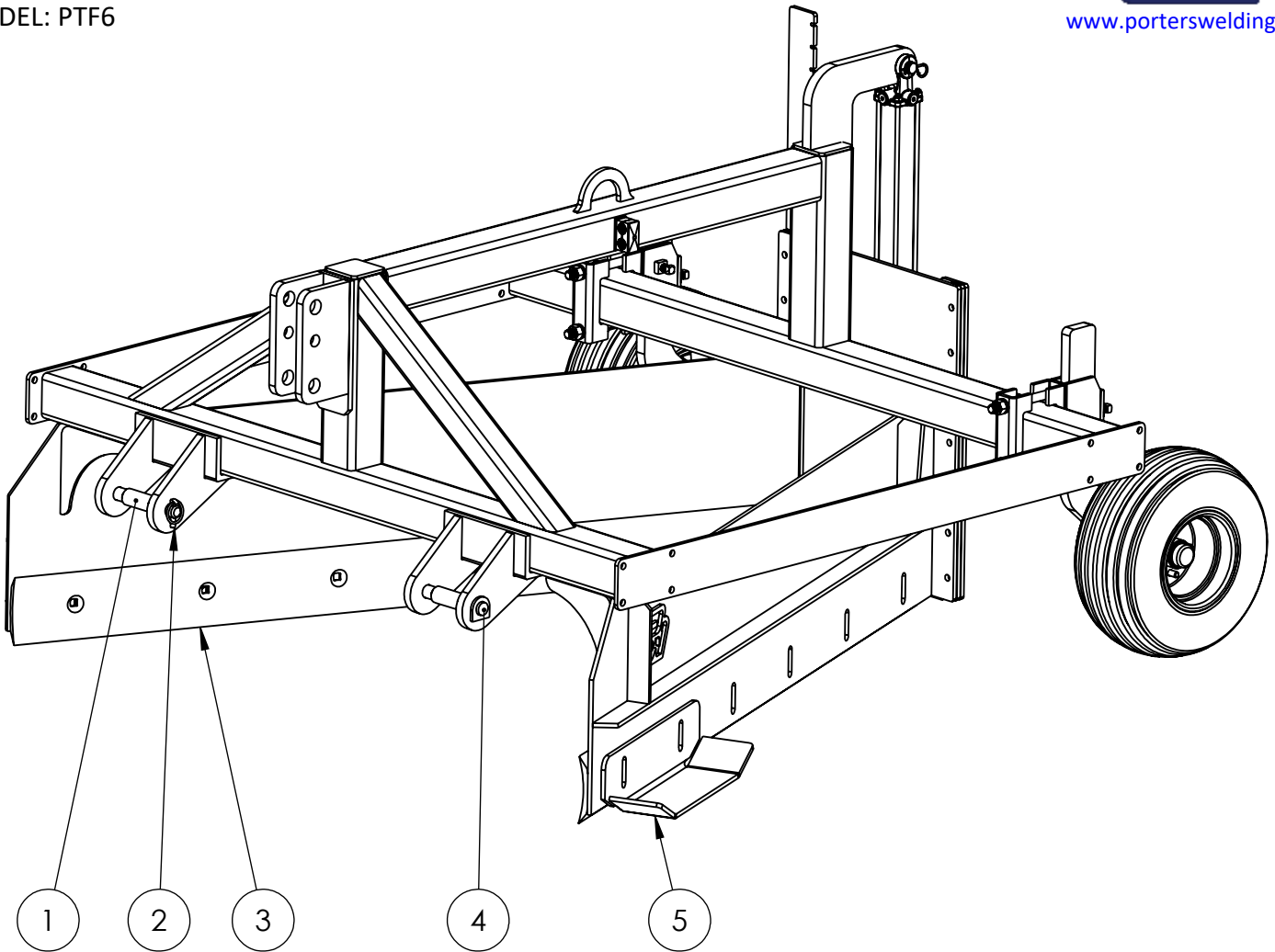
TRAC FILLER

PARTS BOOK

MODEL: PTF6



www.porterswelding.com



ITEM	PART NUMBER	DESCRIPTION	QTY
1	PW-LT140	CAT 2-3 BUSHING	2
2	PW-LT153	DRAW PIN	2
3	ABF15-T050	BLADE	2
4	ABF-CA106	PIN	2
5	PTF6-T205	SHOE	2

* THE SERIAL NUMBER OF THE EQUIPMENT IS REQUIRED

CALL YOUR LOCAL DEALER FOR PARTS

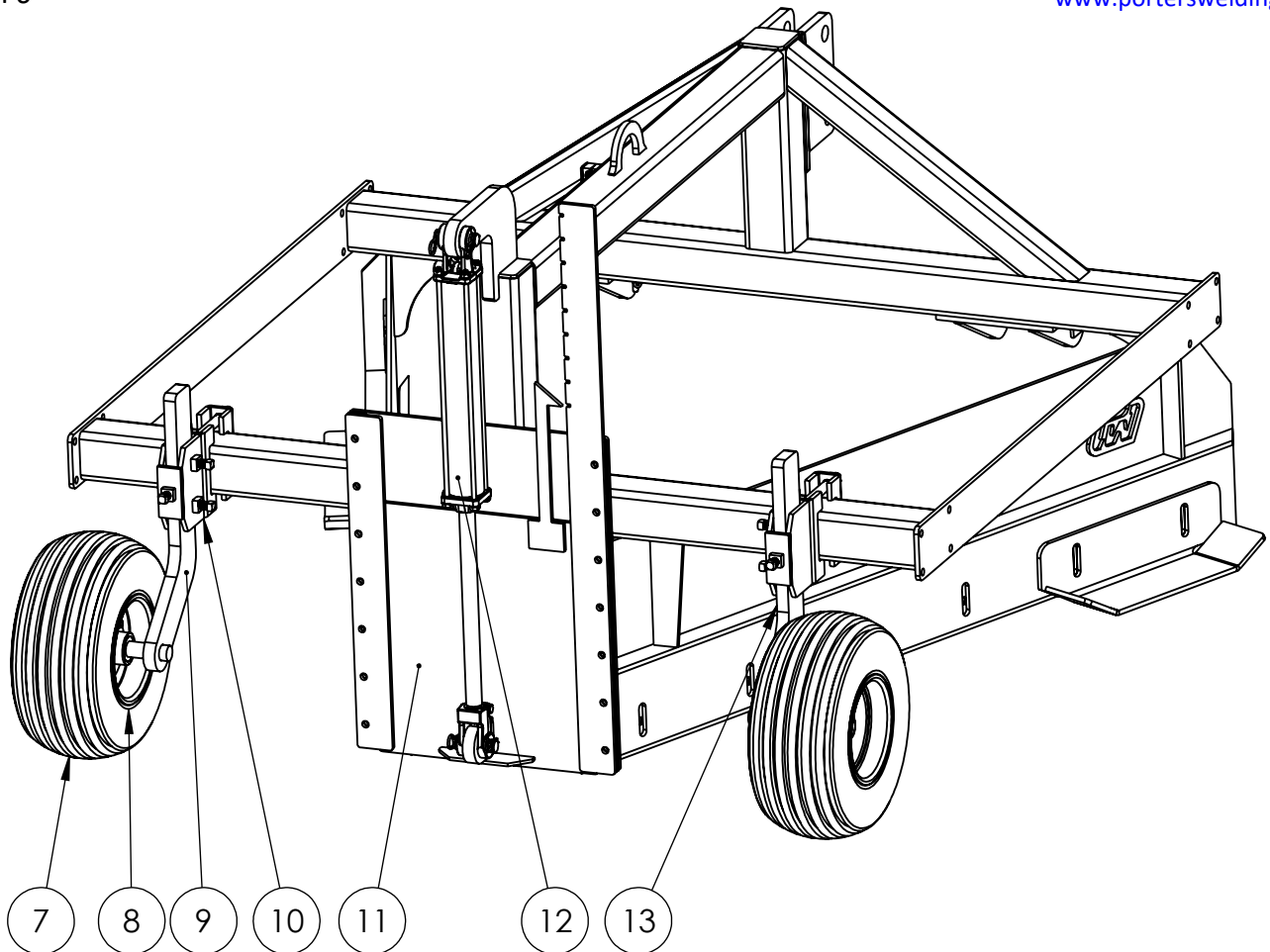
TRAC FILLER

PARTS BOOK

MODEL: PTF6



www.porterswelding.com



ITEM	PART NUMBER	DESCRIPTION	QTY
7	LDD-T101	18/850-8/4 TIRE	2
8	LDD-T102	8 X 7 RIM	2
9	PTF6-A104	LEFT AXLE	1
10	PTF6-T216	BAR CLAMP	2
11	PTF6-A103	GATE	1
12	2516-TRC	2 .5 X 16 TIE ROD CYLINDER	1
13	PTF6-A105	RIGHT AXLE	1

* THE SERIAL NUMBER OF THE EQUIPMENT IS REQUIRED

CALL YOUR LOCAL DEALER FOR PARTS

TRAC FILLER

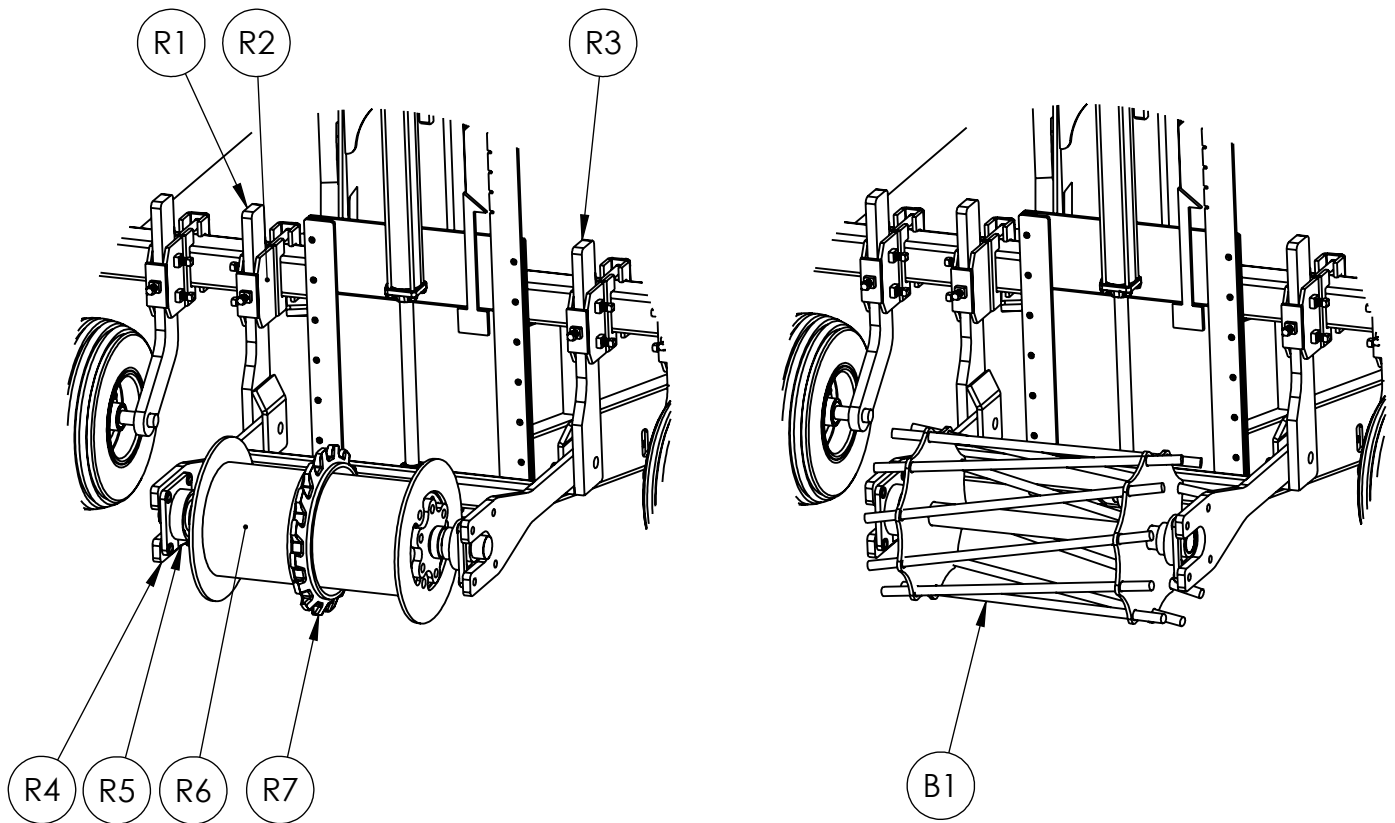
PARTS BOOK

MODEL: PTF6

OPTIONAL RING ROLLER & BASKET



www.porterswelding.com



ITEM	PART NUMBER	DESCRIPTION	QTY
R1	PTF6-A301	BEARING EAR LEFT	1
R2	PTF6-T216	BAR CLAMP	2
R3	PTF6-A302	BEARING EAR RIGHT	1
R4	PTF6-T216	BAR CLAMP	2
R5	-	2-3/16 BEARING	2
R6	RR-CA110	10" PIPE ASSEMBLY (18" LONG)	1
R7	-	12-16 RING	-

ITEM	PART NUMBER	DESCRIPTION	QTY
B1	PTF6-A304	BASKET	1

* THE SERIAL NUMBER OF THE EQUIPMENT IS REQUIRED

CALL YOUR LOCAL DEALER FOR PARTS

TRAC FILLER

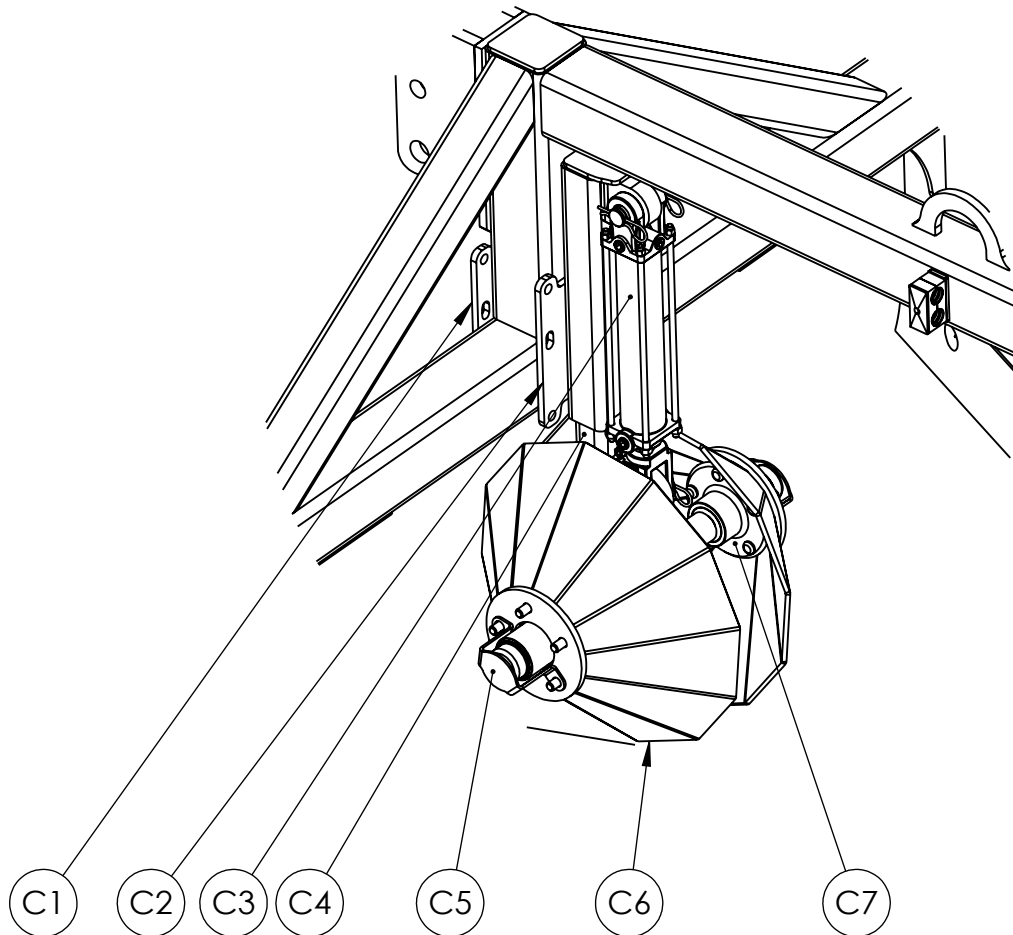
PARTS BOOK

MODEL: PTF6

OPTIONAL CENTER GUIDE CONE



www.porterswelding.com



ITEM	PART NUMBER	DESCRIPTION	QTY
C1	PTF6-T402	WHEEL MOUNT PLATE	1
C2	PTF6-A401	WHEEL MOUNT	1
C3	208-TRC	2 X 8 TIE ROD CYLINDER	1
C4	PTF6-A402	WHEEL LOWER EAR	1
C5	PTF6-T411	DUSTCAP KEEPER	2
C6	PTF6-A403	HALF WHEEL	2
C7	LDD-CA105	5 ON 4.5 HUB	2

* THE SERIAL NUMBER OF THE EQUIPMENT IS REQUIRED

CALL YOUR LOCAL DEALER FOR PARTS