

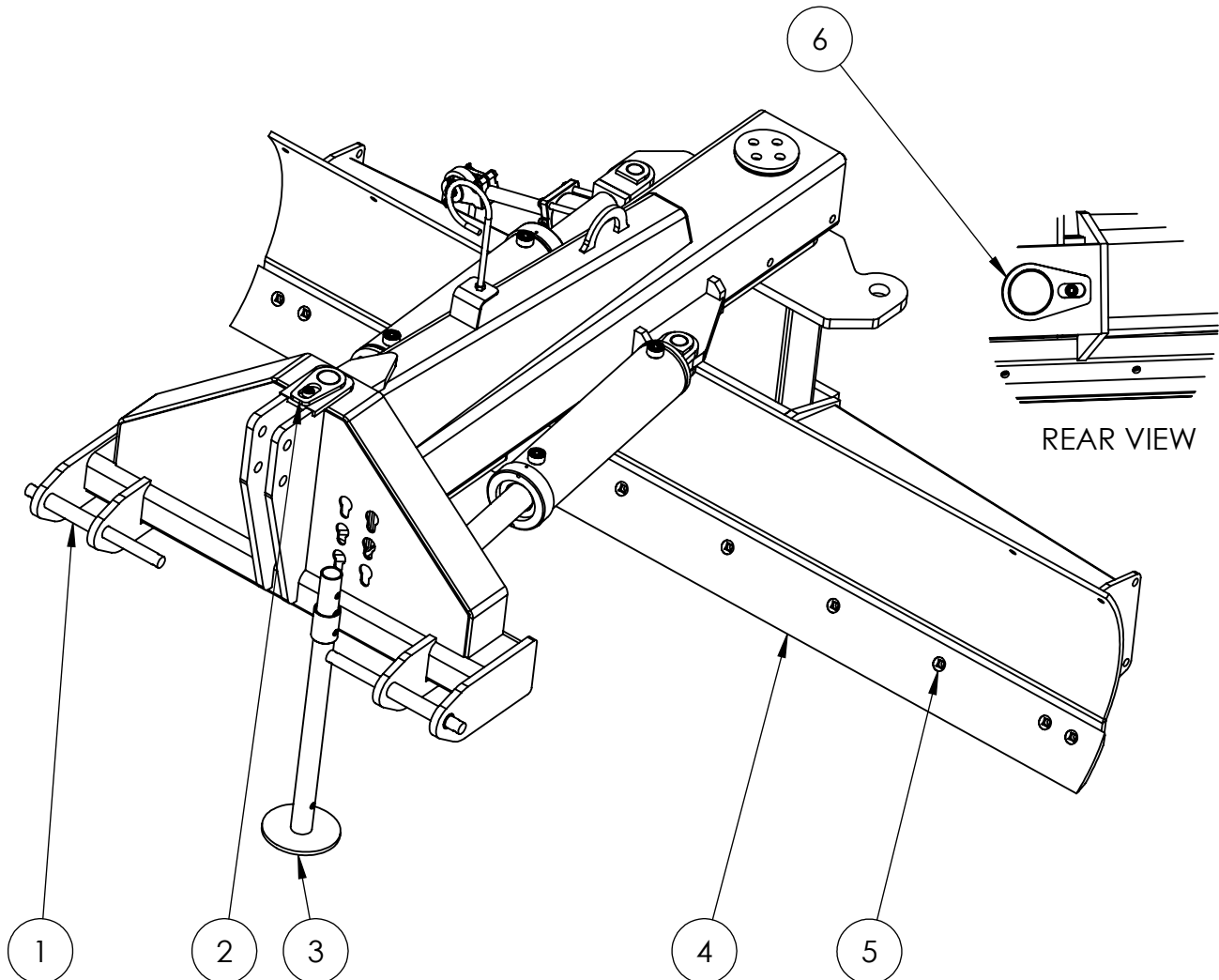
REAR BLADE 25 SERIES

PARTS BOOK

MODELS: PRB2508, PRB2510 & PRB2512



www.porterswelding.com



| ITEM | PART NUMBER | DESCRIPTION | QTY |
|------|-------------|------------------------|-----|
| 1 | PW-LT126 | 3PT PIN | 2 |
| 2 | PRB25-CA103 | HITCH PIN | 1 |
| 3 | PW-LA103 | PARKING STAND ASSEMBLY | 1 |
| 4 | PRB-BLD* | BLADE | 1 |
| 5 | PRB-BOL* | BLADE BOLT KIT | 1 |
| 6 | PRB25-CA107 | TILT PIN | 1 |

* THE SERIAL NUMBER OF THE EQUIPMENT IS REQUIRED

CALL YOUR LOCAL DEALER FOR PARTS

REAR BLADE 25 SERIES

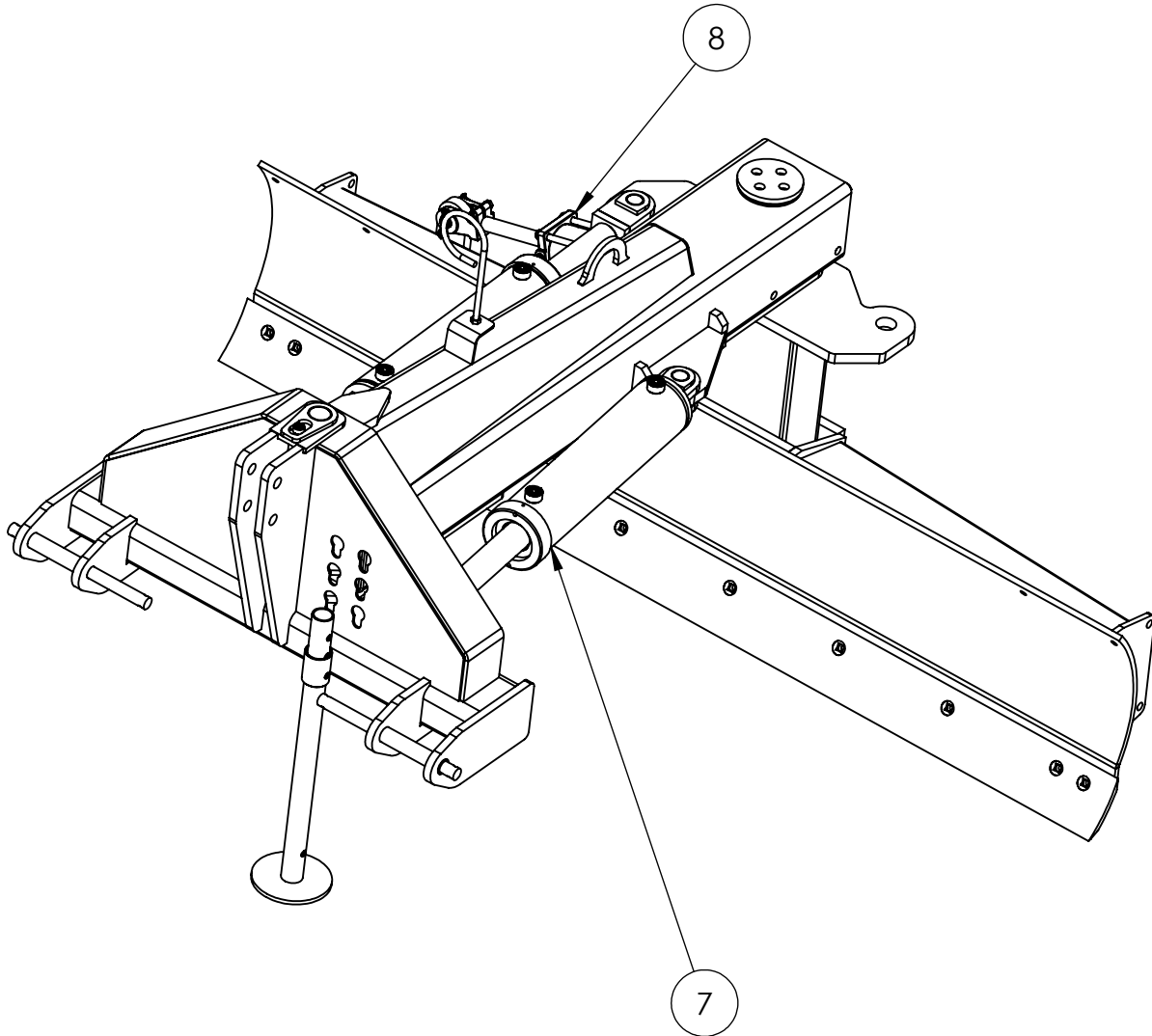
PARTS BOOK

MODELS: PRB2508, PRB2510 & PRB2512

HYDRAULIC ADJUST



www.porterswelding.com



| ITEM | PART NUMBER | DESCRIPTION | QTY |
|------|-------------|--------------------------|-----|
| 7 | 518-WCY | 5 X 18 CYLINDER WELDED | 2 |
| 8 | 358-TRC | 3.5 X 8 CYLINDER TIE ROD | 1 |

* THE SERIAL NUMBER OF THE EQUIPMENT IS REQUIRED

CALL YOUR LOCAL DEALER FOR PARTS

REAR BLADE 25 SERIES

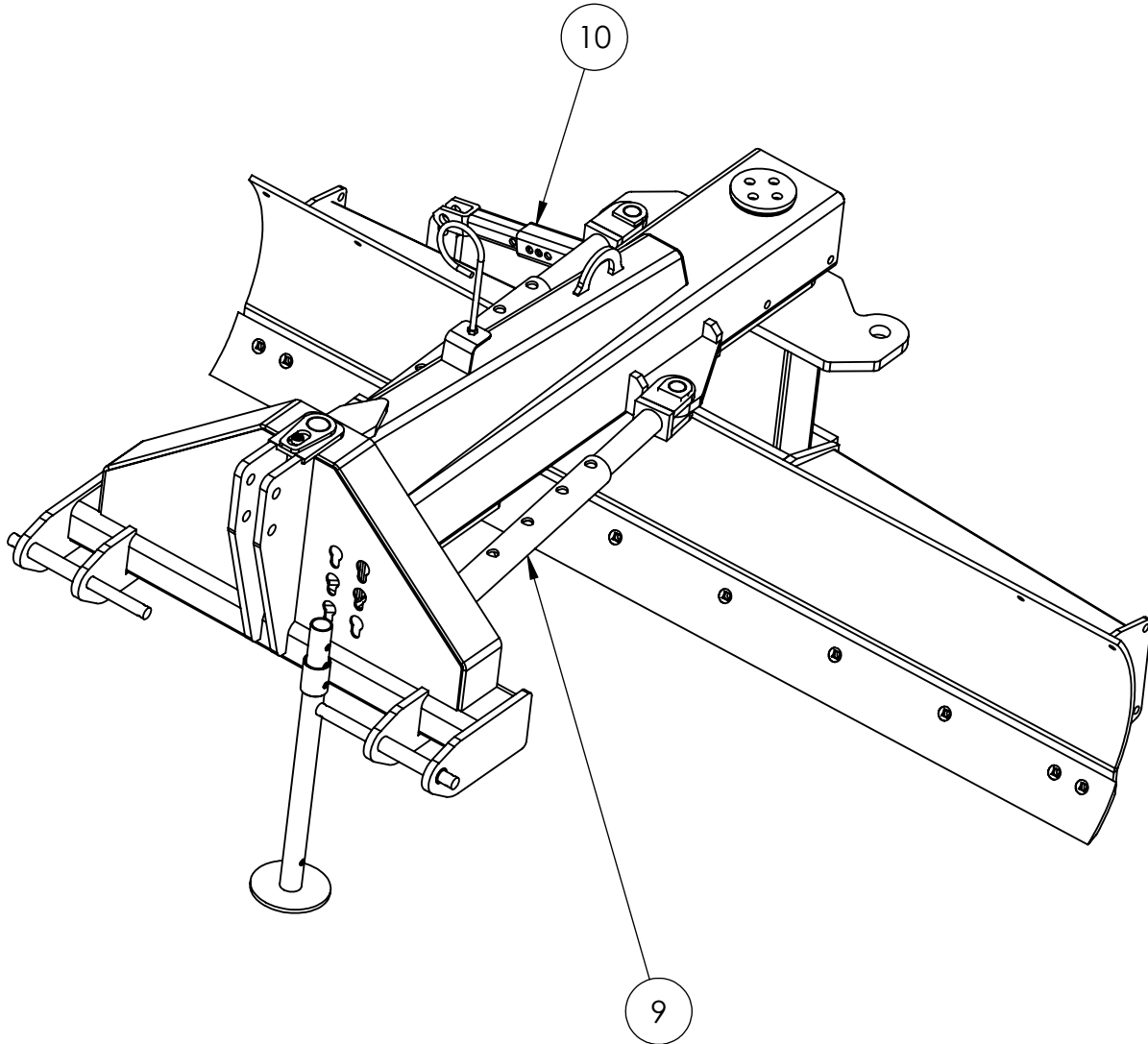
PARTS BOOK

MODELS: PRB2508, PRB2510 & PRB2512

MANUAL ADJUST



www.porterswelding.com



| ITEM | PART NUMBER | DESCRIPTION | QTY |
|------|-------------|------------------------|-----|
| 9 | PRB-CA606 | ADJUSTABLE CLEVIS PIPE | 2 |
| 10 | PRB-CA203 | ADJUSTABLE CLEVIS TUBE | 1 |

* THE SERIAL NUMBER OF THE EQUIPMENT IS REQUIRED

CALL YOUR LOCAL DEALER FOR PARTS

REAR BLADE 25 SERIES

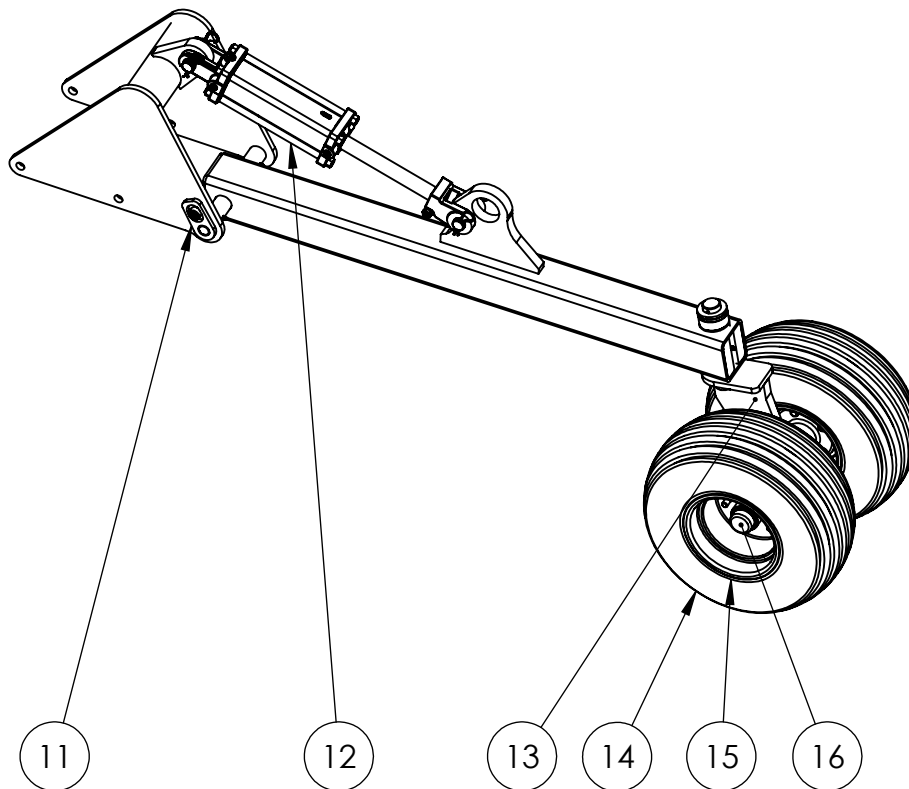
PARTS BOOK

MODELS: PRB2508, PRB2510 & PRB2512

OPTIONAL DUAL GAUGE WHEELS



www.porterswelding.com



| ITEM | PART NUMBER | DESCRIPTION | QTY |
|------|-------------|------------------------|-----|
| 11 | PRB-CA506 | PIN | 1 |
| 12 | 308-TRC | 3 X 8 CYLINDER TIE ROD | 1 |
| 13 | PRB-CA506 | PIVOT SPINDLE | 1 |
| 14 | LDD-T101 | 18/50-8/4 TIRE | 2 |
| 15 | LDD-T102 | 8 X 7 RIM | 2 |
| 16 | LDD-CA105 | 5 ON 4.5 HUB ASSEMBLY | 2 |

* THE SERIAL NUMBER OF THE EQUIPMENT IS REQUIRED

CALL YOUR LOCAL DEALER FOR PARTS

REAR BLADE 25 SERIES

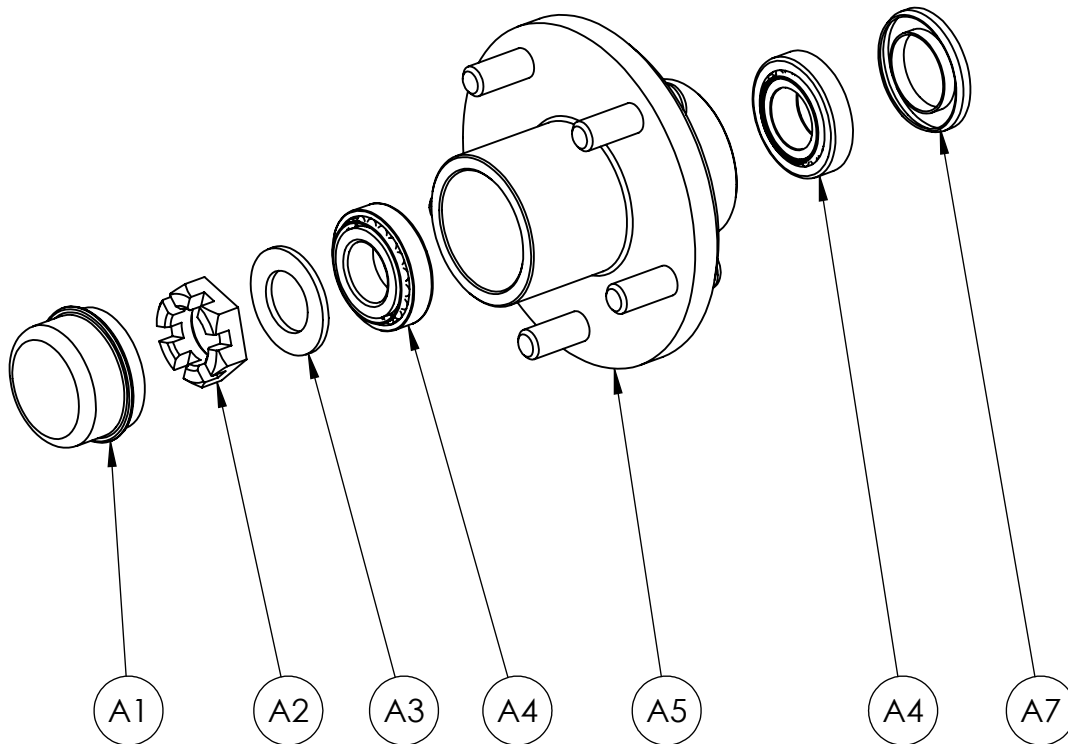
PARTS BOOK

MODELS: PRB2508, PRB2510 & PRB2512

5 ON 4.5 HUB ASSEMBLY



www.porterswelding.com



| ITEM | PART NUMBER | DESCRIPTION | QTY |
|------|-------------|--------------|-----|
| A1 | LDD-CT017 | DUST CAP | 1 |
| A2 | LDD-CT016 | SPINDLE NUT | 1 |
| A3 | LDD-CT015 | WASHER | 1 |
| A4 | 545-BER | BEARING KIT | 1 |
| A5 | LDD-CT014 | 5 ON 4.5 HUB | 1 |
| A7 | LDD-CT021 | SEAL | 1 |

* THE SERIAL NUMBER OF THE EQUIPMENT IS REQUIRED

CALL YOUR LOCAL DEALER FOR PARTS