

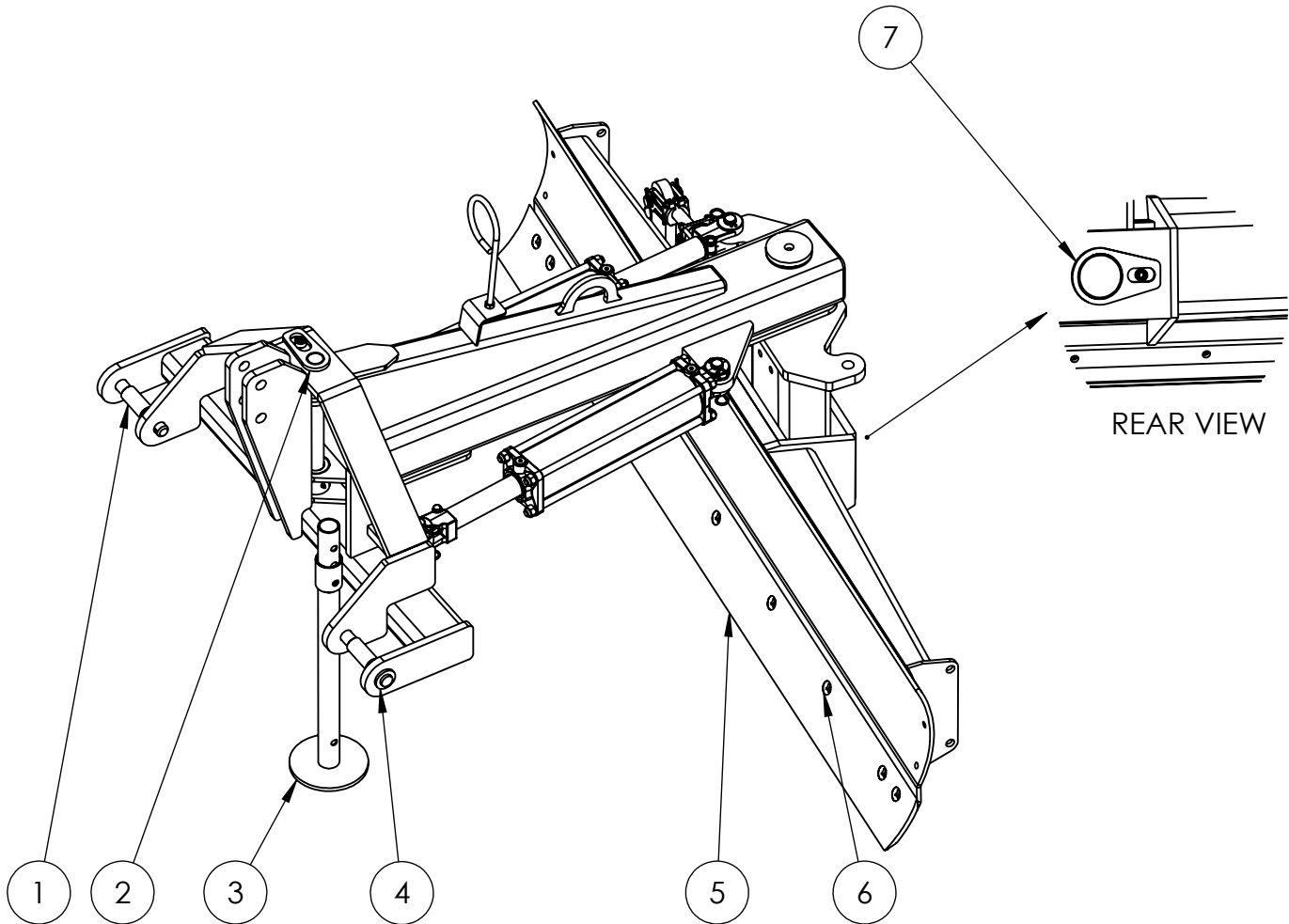
REAR BLADE 10 SERIES

PARTS BOOK

MODELS: PRB1007, PRB1008 & PRB1009



www.porterswelding.com



ITEM	PART NUMBER	DESCRIPTION	QTY
1	PW-LT140	CAT 2-3 BUSHING	2
2	PRB10-A502	HITCH PIN	1
3	PW-LA103	PARKING STAND ASSEMBLY	1
4	ABF-CA106	LOCKING PIN	2
5	PRB-BLD*	BLADE	1
6	PRB-BOL*	BLADE BOLT KIT	1
7	PRB-CA202	TILT PIN	1

* THE SERIAL NUMBER OF THE EQUIPMENT IS REQUIRED

CALL YOUR LOCAL DEALER FOR PARTS

REAR BLADE 10 SERIES

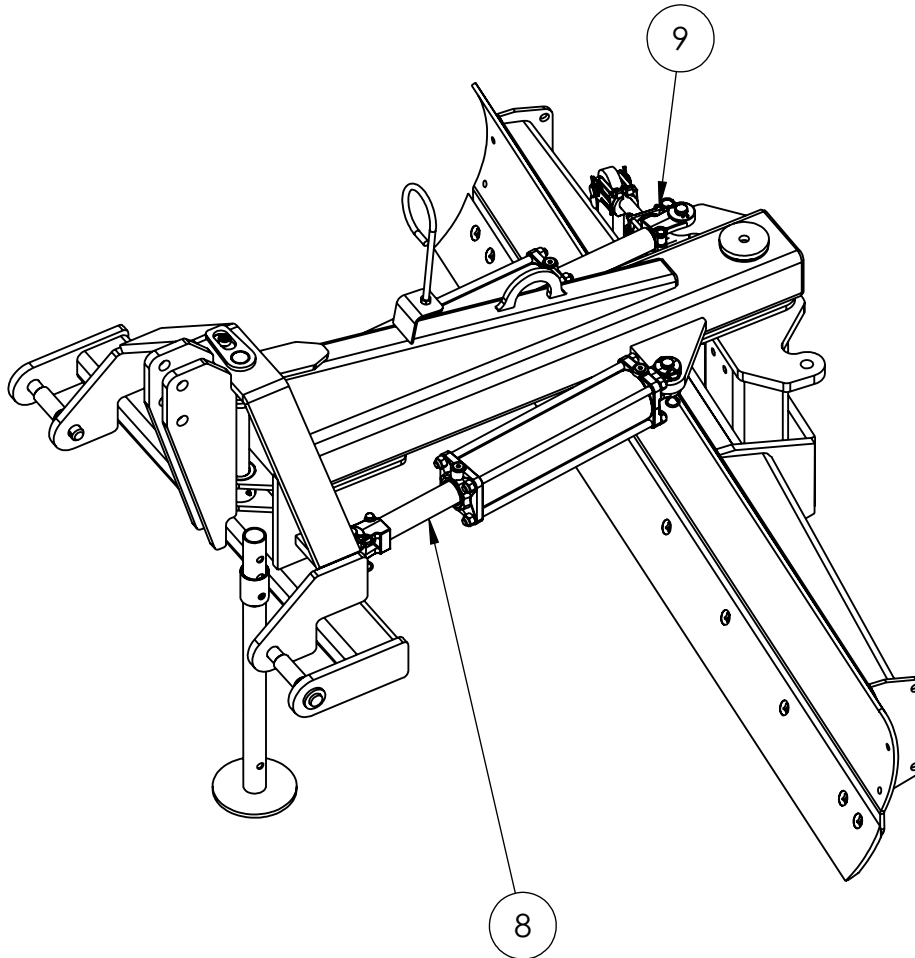
PARTS BOOK

MODELS: PRB1007, PRB1008 & PRB1009



www.porterswelding.com

HYDRAULIC ADJUST



ITEM	PART NUMBER	DESCRIPTION	QTY
8	416-TRC	4 X 16 CYLINDER TIE ROD	2
9	256-TRC	2.5 X 6 CYLINDER TIE ROD	1

* THE SERIAL NUMBER OF THE EQUIPMENT IS REQUIRED

CALL YOUR LOCAL DEALER FOR PARTS

REAR BLADE 10 SERIES

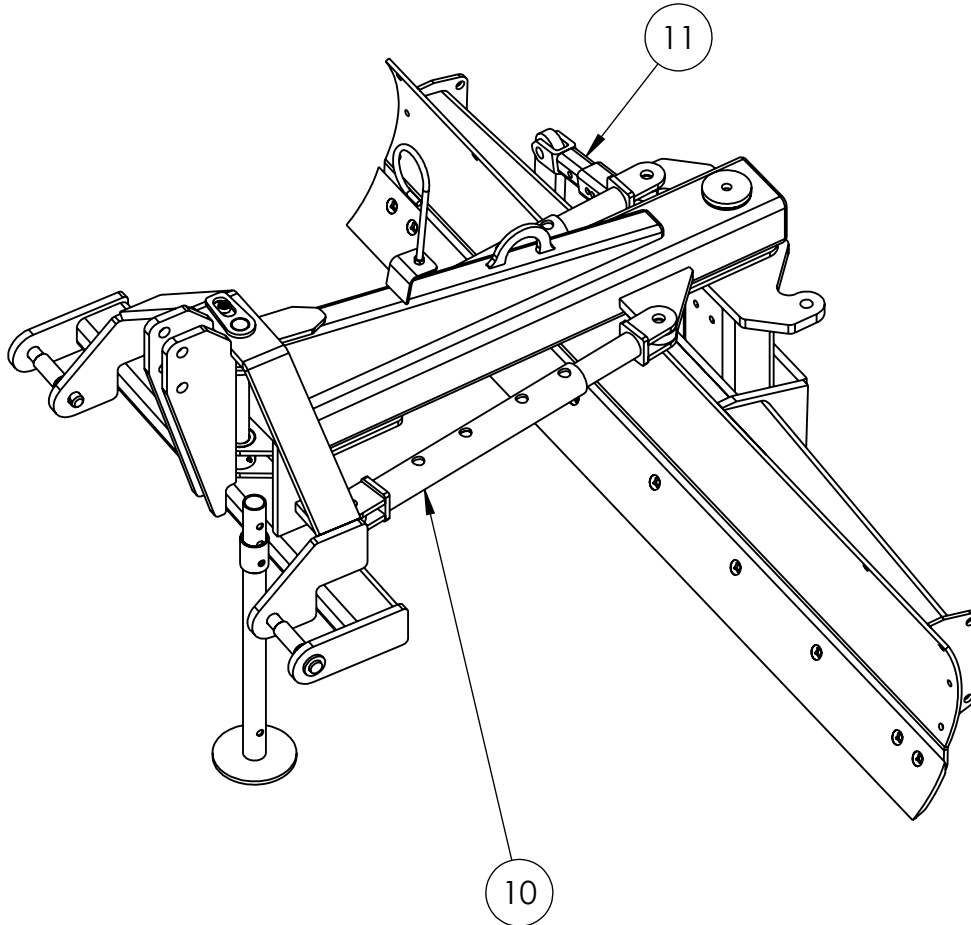
PARTS BOOK

MODELS: PRB1007, PRB1008 & PRB1009

MANUAL ADJUST



www.porterswelding.com



ITEM	PART NUMBER	DESCRIPTION	QTY
10	PRB-CA600	ADJUSTABLE CLEVIS PIPE	2
11	PRB-CA610	ADJUSTABLE CLEVIS TUBE	1

* THE SERIAL NUMBER OF THE EQUIPMENT IS REQUIRED

CALL YOUR LOCAL DEALER FOR PARTS