

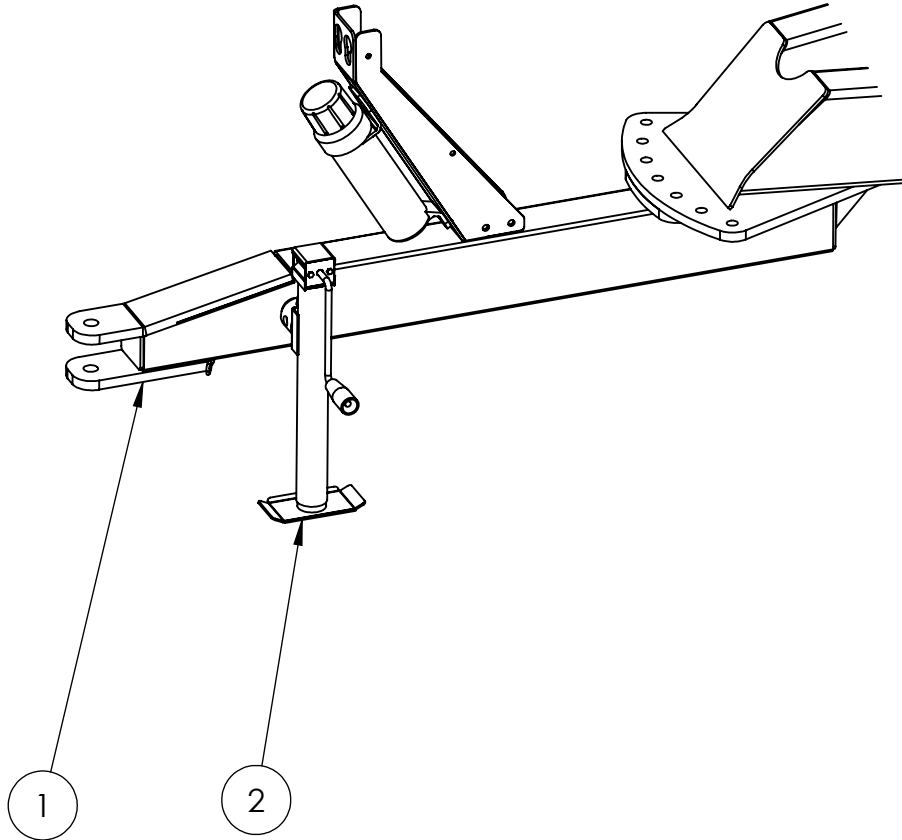
# PORTERS ORCHARD LEVELER

## PARTS BOOK

MODELS: POL8, POL9, POL10, POL11, POL12, POL13, POL14, POL15, POL16, POL17 & POL18



[www.porterswelding.com](http://www.porterswelding.com)



ITEM	PART NUMBER	DESCRIPTION	QTY
1	POL-CA201	TONGUE ASSEMBLY	1
2	PW-LT130	15" TRAILER JACK	1

\* THE SERIAL NUMBER OF THE EQUIPMENT IS REQUIRED

CALL YOUR LOCAL DEALER FOR PARTS

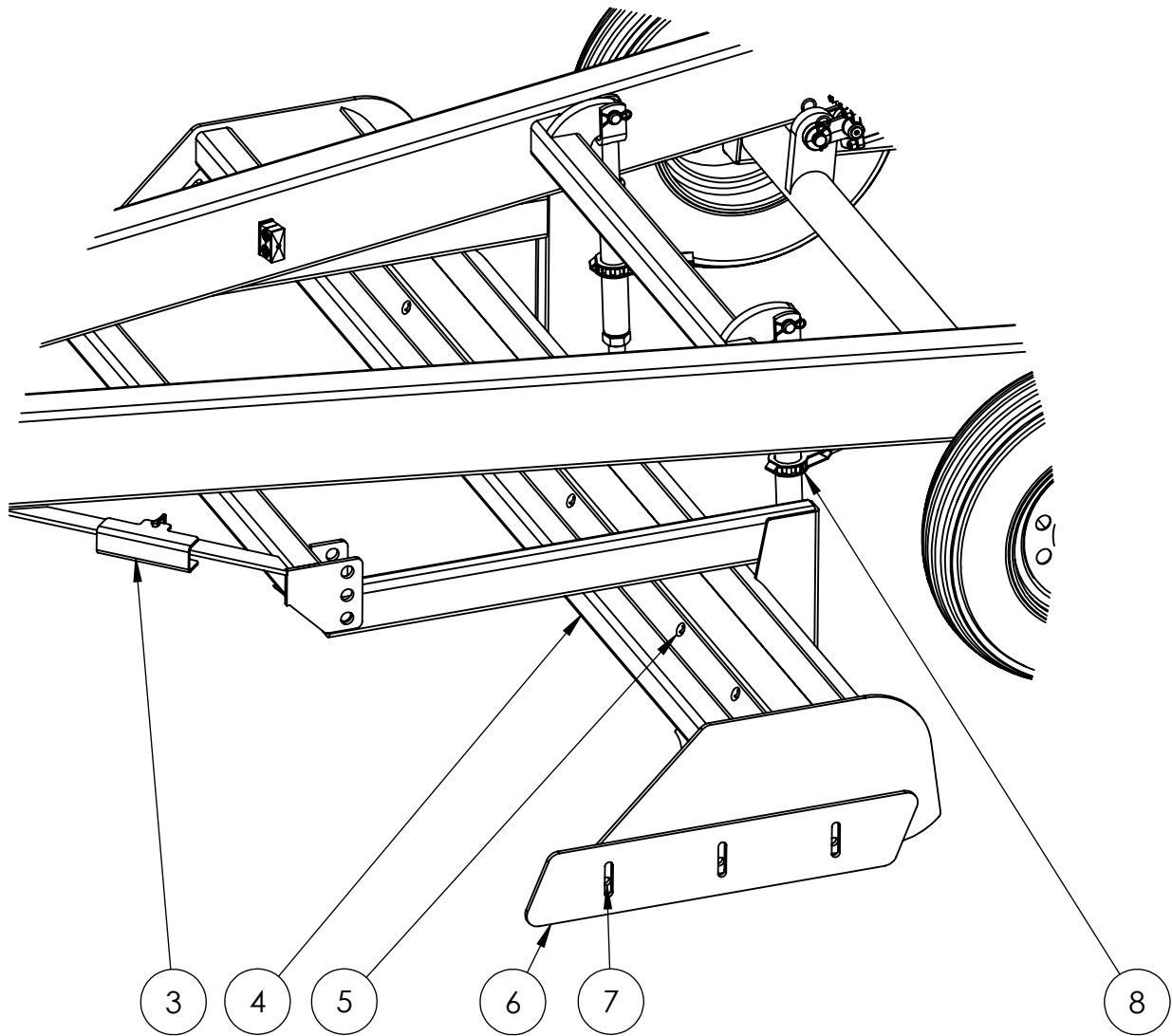
# PORTERS ORCHARD LEVELER

## PARTS BOOK

MODELS: POL8, POL9, POL10, POL11, POL12, POL13, POL14, POL15, POL16, POL17 & POL18



[www.porterswelding.com](http://www.porterswelding.com)



ITEM	PART NUMBER	DESCRIPTION	QTY
3	PW-LT142	LOCK OUT	2
4	SCR-CT110*	BLADE	1
5	POL-BL-BK	BLADE BOLT KIT	1
6	HDS/MDS-SLB	SLOBBER BITS	SET (2)
7	POL-SLB-BK	SLOBBER BIT BOLT KIT	1
8	-	RATCHET	2

\* THE SERIAL NUMBER OF THE EQUIPMENT IS REQUIRED

CALL YOUR LOCAL DEALER FOR PARTS

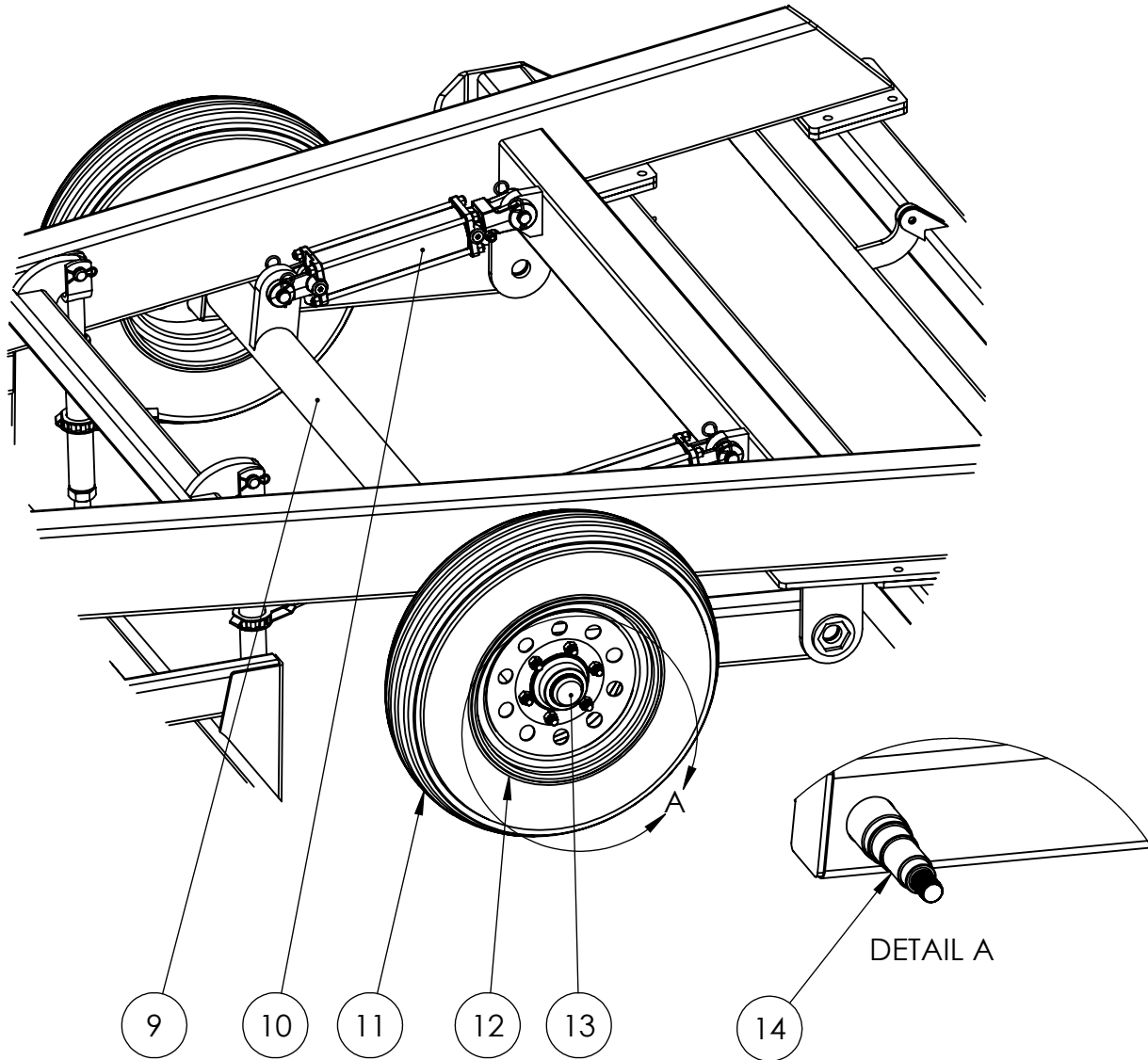
# PORTERS ORCHARD LEVELER

## PARTS BOOK

MODELS: POL8, POL9, POL10, POL11, POL12, POL13, POL14, POL15, POL16, POL17 & POL18



[www.porterswelding.com](http://www.porterswelding.com)



ITEM	PART NUMBER	DESCRIPTION	QTY
9	POL-CA501	AXLE ASSEMBLY	1
10	310-TRC	3 X 10 CYLINDER TIE ROD	2
11	PW-LT034	27 X 9.5-15 TIRE	2
12	PW-LT023	15 X 6 RIM	2
13	PW-LWA001	6 ON 6 HUB ASSEMBLY	2
14	PW-LT015	SPINDLE	2

\* THE SERIAL NUMBER OF THE EQUIPMENT IS REQUIRED

CALL YOUR LOCAL DEALER FOR PARTS

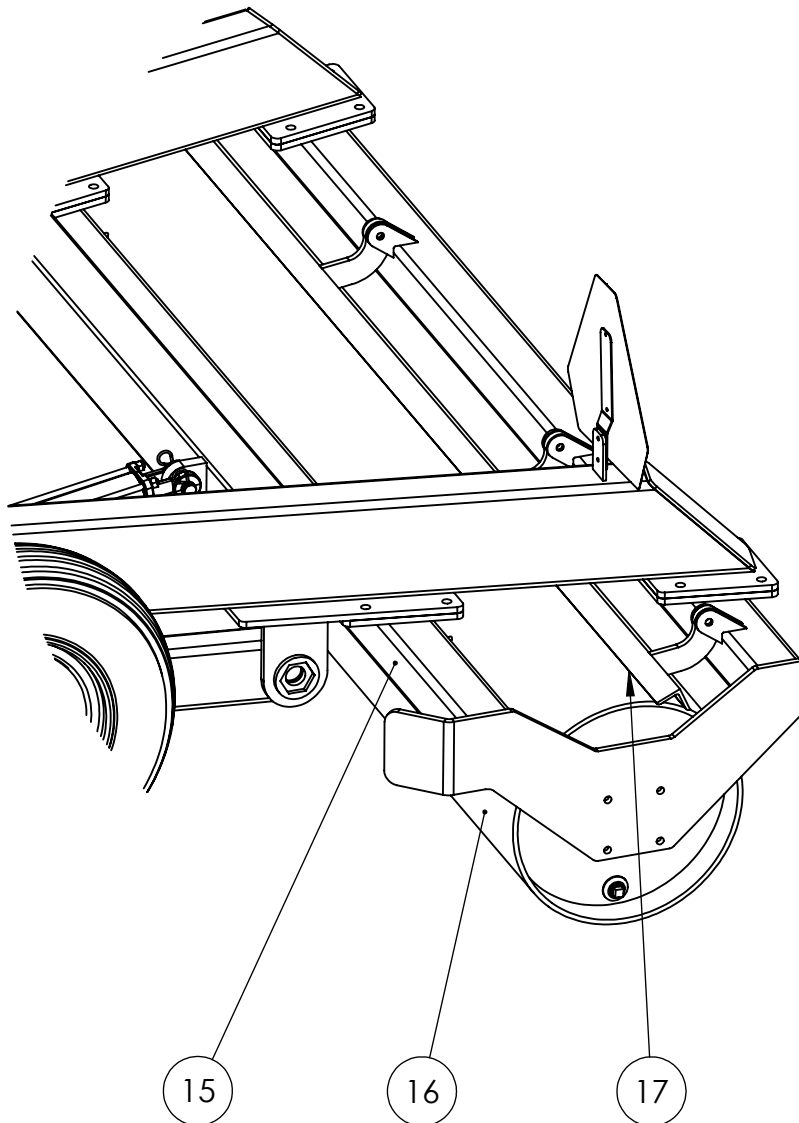
# PORTERS ORCHARD LEVELER

## PARTS BOOK

MODELS: POL8, POL9, POL10, POL11, POL12, POL13, POL14, POL15, POL16, POL17 & POL18



[www.porterswelding.com](http://www.porterswelding.com)



ITEM	PART NUMBER	DESCRIPTION	QTY
15	POL-CA601*	ROLLER ASSEMBLY	1
16	POL-CA603*	ROLLER PIPE ASSEMBLY	1
17	POL-CA602*	SCRAPER ASSEMBLY	1

\* THE SERIAL NUMBER OF THE EQUIPMENT IS REQUIRED

CALL YOUR LOCAL DEALER FOR PARTS

# PORTERS ORCHARD LEVELER

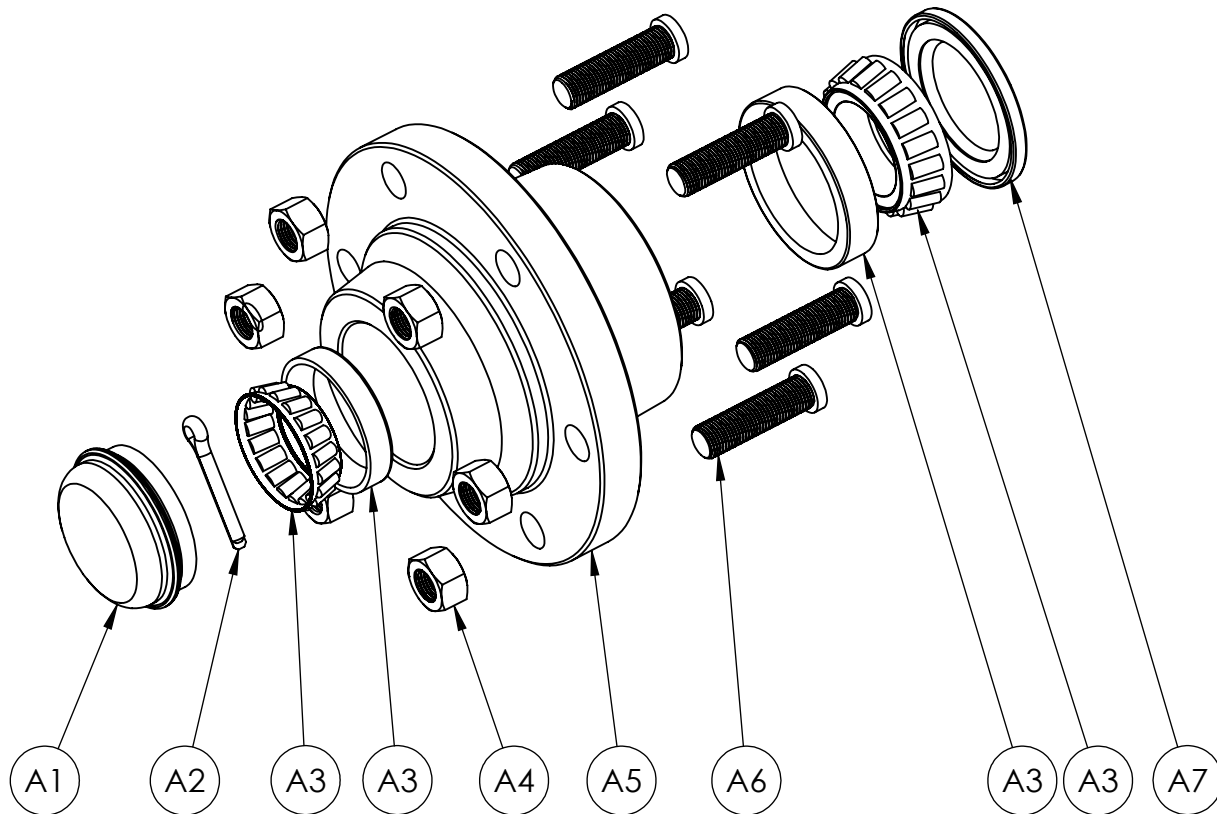
## PARTS BOOK

MODELS: POL8, POL9, POL10, POL11, POL12, POL13, POL14, POL15, POL16, POL17 & POL18



[www.porterswelding.com](http://www.porterswelding.com)

### 6 ON 6 HUB ASSEMBLY



ITEM	PART NUMBER	DESCRIPTION	QTY
A1	PW-LWT008	DUST CAP	1
A2	PW-LWT023	COTTER PIN	1
A3	606-BER	BEARING KIT	1
A4	PW-LWT016	LUG NUT	6
A5	PW-LWT001	6 ON 6 HUB	1
A6	PW-LWT002	6 ON 6 STUD	6
A7	PW-LWT007	SEAL	1

\* THE SERIAL NUMBER OF THE EQUIPMENT IS REQUIRED

CALL YOUR LOCAL DEALER FOR PARTS