

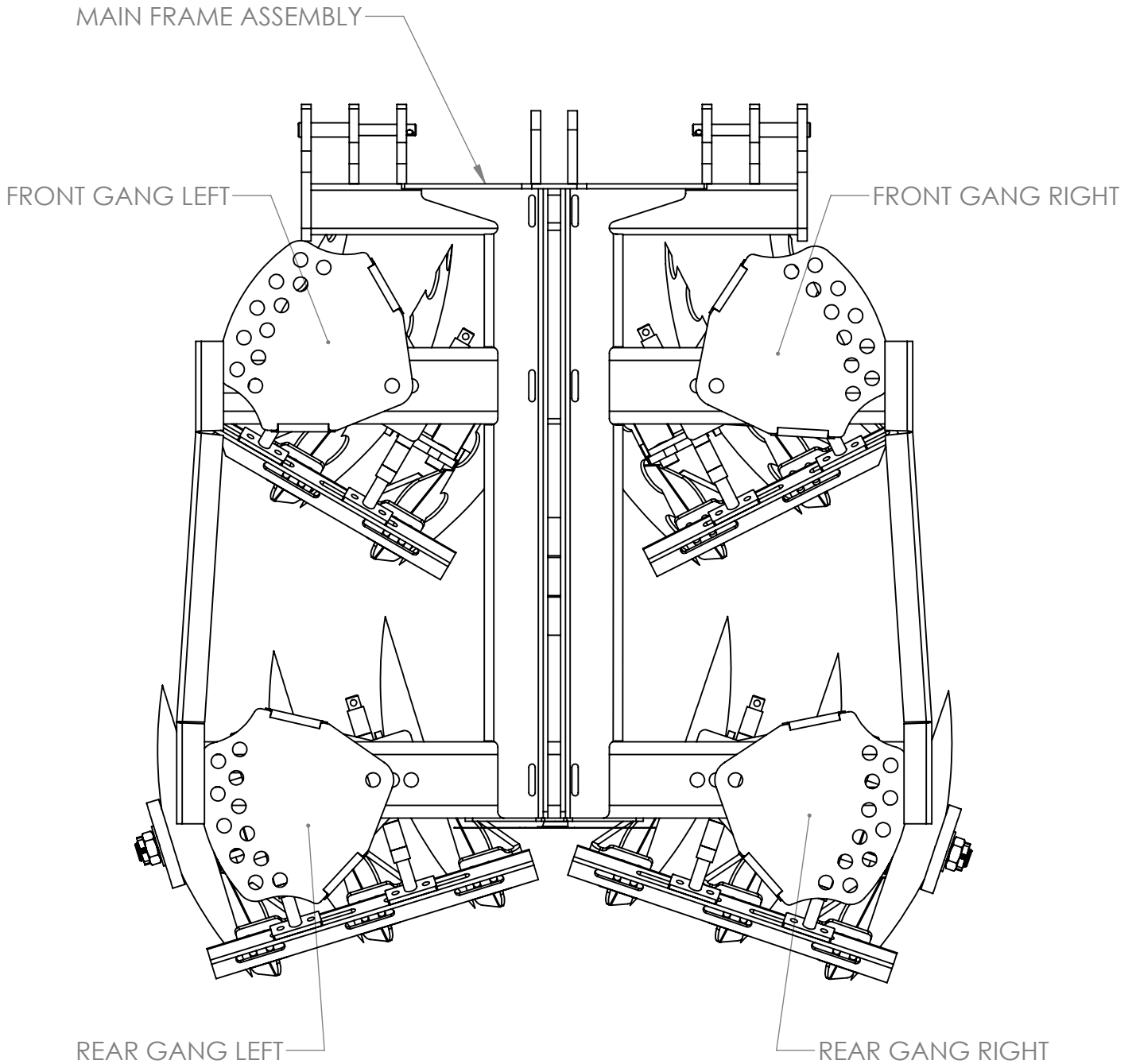
NARROW TANDEM DISC

PARTS BOOK

MODEL: NTD



www.porterswelding.com



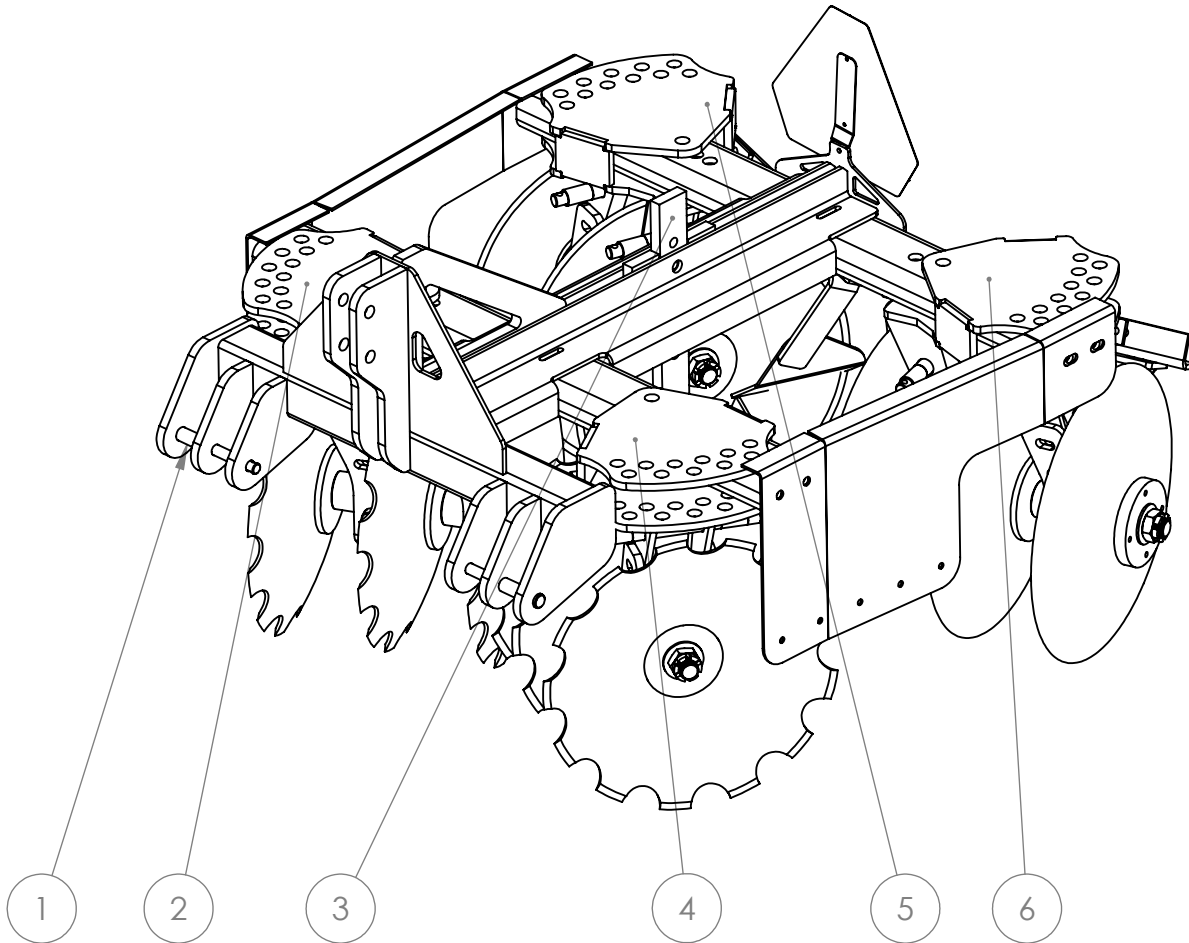
NARROW TANDEM DISC

PARTS BOOK

MODEL: NTD12



www.porterswelding.com



ITEM	PART NUMBER	DESCRIPTION	QTY
1	NTD-T206	HITCH PIN	2
2	NTD-A300	FRONT RIGHT GANG	1
3	NTD-T110	CRUMBLER	1
4	NTD-A305	FRONT LEFT GANG	1
5	NTD-A306	REAR GANG RIGHT	1
6	NTD-A304	REAR GANG LEFT	1

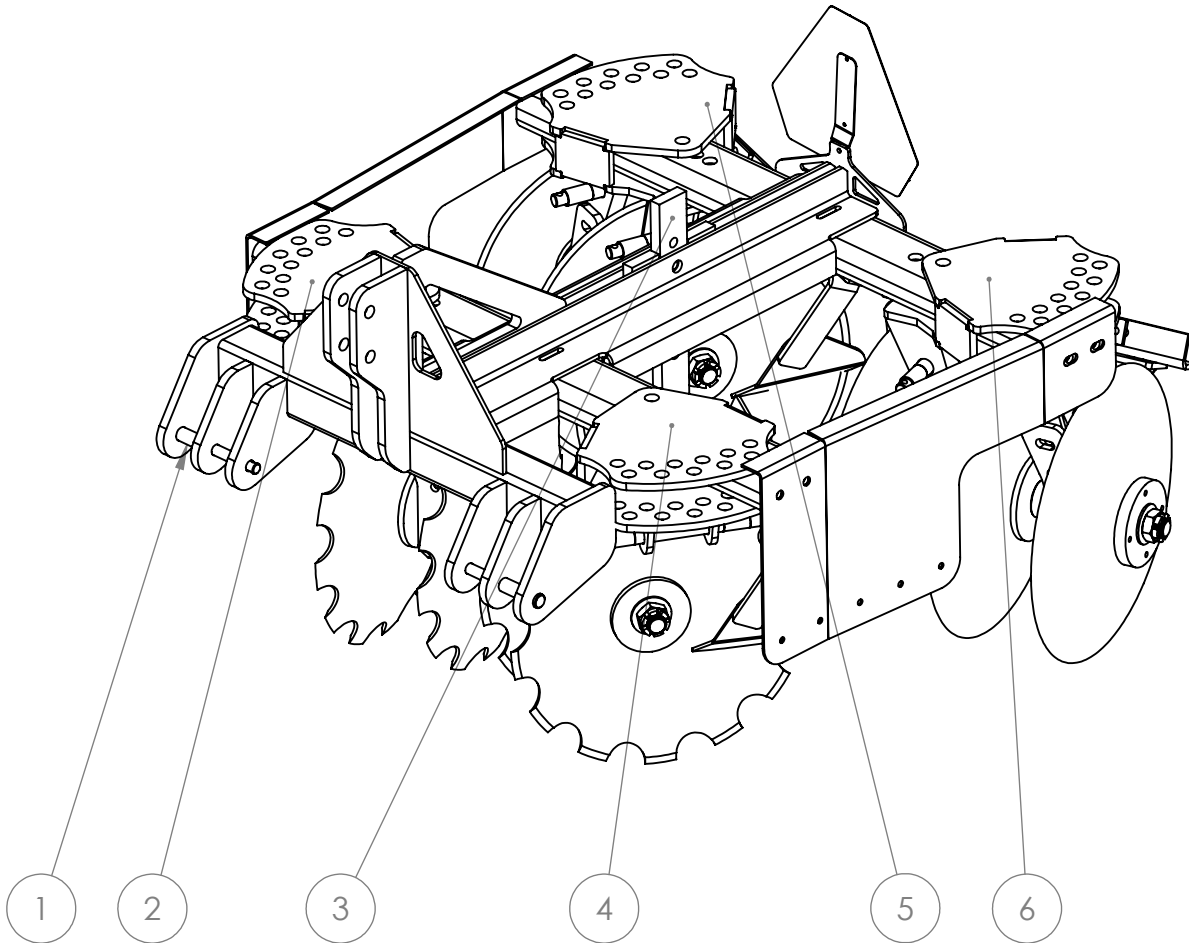
NARROW TANDEM DISC

PARTS BOOK

MODEL: NTD10



www.porterswelding.com



ITEM	PART NUMBER	DESCRIPTION	QTY
1	NTD-T206	HITCH PIN	2
2	NTD-A309	FRONT RIGHT GANG	1
3	NTD-T110	CRUMBLER	1
4	NTD-A310	FRONT LEFT GANG	1
5	NTD-A306	REAR GANG RIGHT	1
6	NTD-A304	REAR GANG LEFT	1

NARROW TANDEM DISC

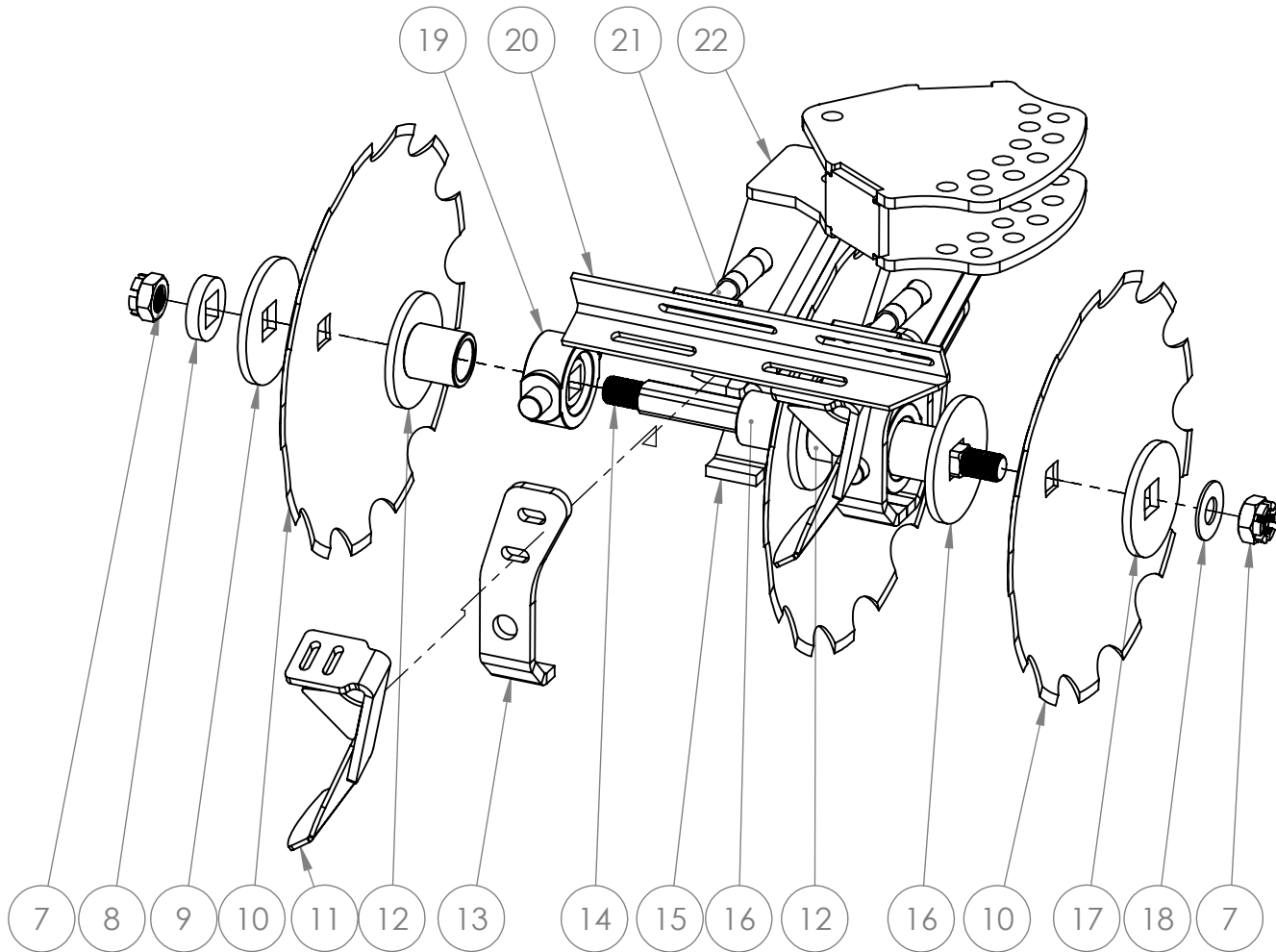
PARTS BOOK

MODEL: NTD12

FRONT RIGHT GANG



www.porterswelding.com



ITEM	PART NUMBER	DESCRIPTION	QTY
7	CASTLE NUT	1-1/2" X 6	2
8	PDSC-CT014	AXLE END BUSHING	1
9	PDSC-CT001	SPOOL PLATE LARGE	1
10	PDB-24N	24" NOTCHED DISC	3
11	PDSC-CA040	FRONT MUD SCRAPER ASSEMBLY	2
12	NTD-A601	SMALL BUSHING SEPERATOR	2
13	NTD-T308	TRUNION GUARD HANGER LEFT	2
14	PAXL-15*	1-1/2" AXLE	1
15	NTD-T309	TRUNION GUARD HANGER RIGHT	2
16	NTD-A602	LARGE BUSHING SEPERATOR	2
17	PDSC-CT002	SPOOL PLATE SMALL	1
18	WASHER	1-1/2"	1
19	PDSC-CT906	1-1/2" TRUNNION BEARING	2
20	NTD-T311	SCRAPER ANGLE FRONT RIGHT	1
21	NTD-A501	SCRAPER ARM ASSEMBLY	2
22	NTD-A300-A	GANG MOUNT ASSEMBLY	1

* THE SERIAL NUMBER OF THE EQUIPMENT IS REQUIRED

CALL YOUR LOCAL DEALER FOR PARTS

NARROW TANDEM DISC

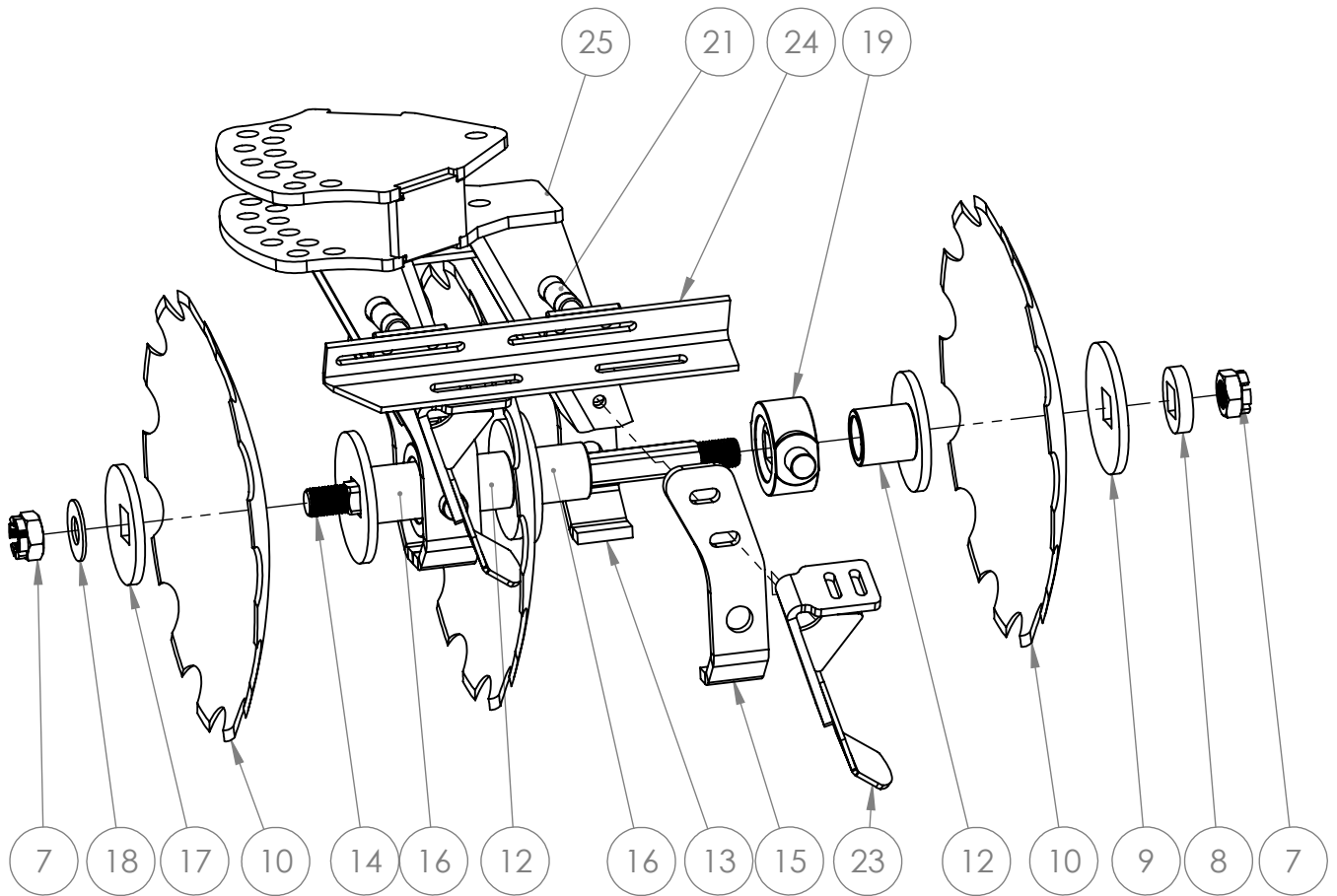
PARTS BOOK

MODEL: NTD12

FRONT LEFT GANG



www.porterswelding.com



ITEM	PART NUMBER	DESCRIPTION	QTY
7	CASTLE NUT	1-1/2" X 6	2
8	PDSC-CT014	AXLE END BUSHING	1
9	PDSC-CT001	SPOOL PLATE LARGE	1
10	PDB-24N	24" NOTCHED DISC	3
12	NTD-A601	SMALL BUSHING SEPERATOR	2
13	NTD-T308	TRUNION GUARD HANGER LEFT	2
14	PAXL-15*	1-1/2" AXLE	1
15	NTD-T309	TRUNION GUARD HANGER RIGHT	2
16	NTD-A602	LARGE BUSHING SEPERATOR	2
17	PDSC-CT002	SPOOL PLATE SMALL	1
18	WASHER	1-1/2"	1
19	PDSC-CT906	1-1/2" TRUNNION BEARING	2
21	NTD-A501	SCRAPER ARM ASSEMBLY	2
23	PDSC-CA041	REAR MUD SCRAPER ASSEMBLY	2
24	NTD-T310	SCRAPER ANGLE FRONT LEFT	1
25	NTD-A305-A	GANG MOUNT ASSEMBLY	1

* THE SERIAL NUMBER OF THE EQUIPMENT IS REQUIRED

CALL YOUR LOCAL DEALER FOR PARTS

NARROW TANDEM DISC

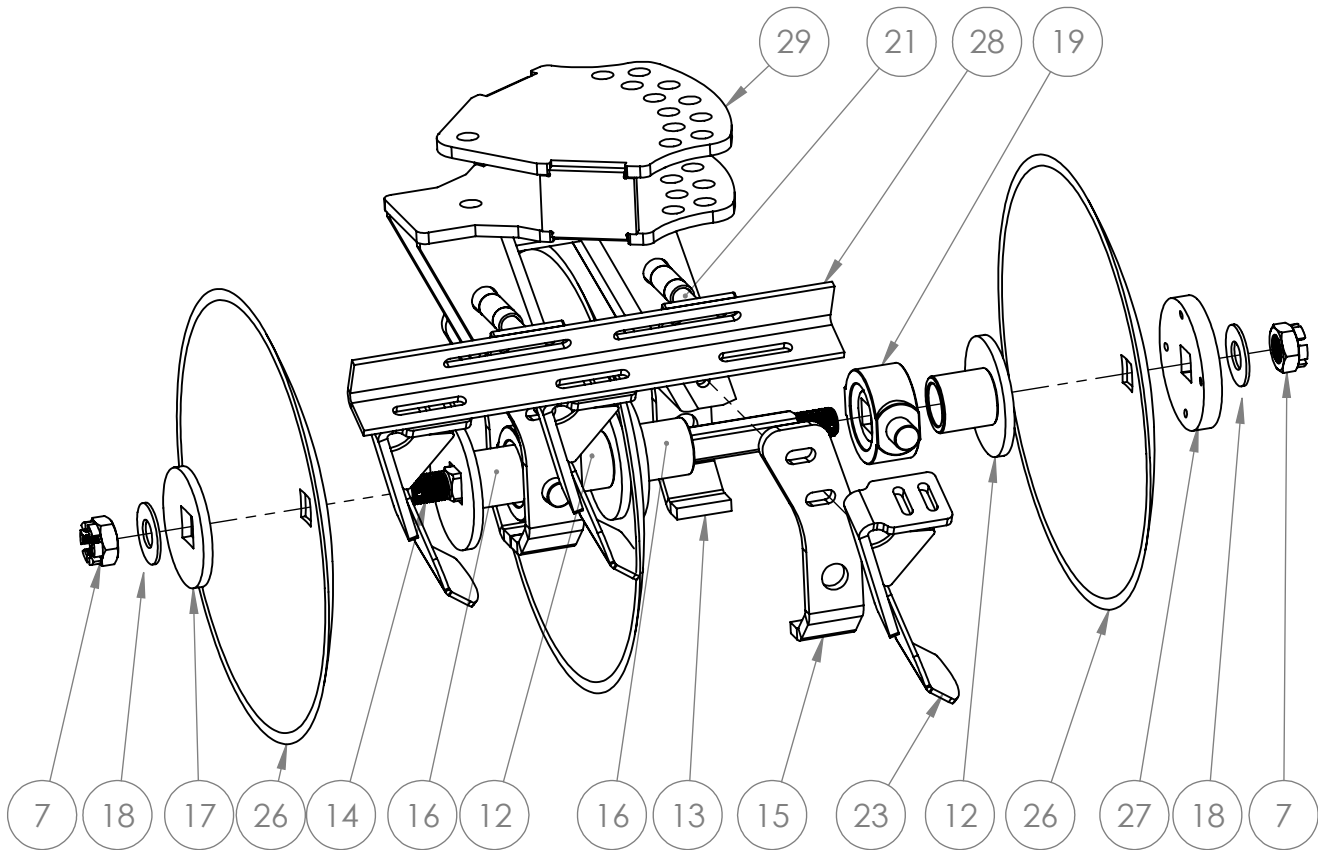
PARTS BOOK

MODEL: NTD10, NTD12

REAR RIGHT GANG



www.porterswelding.com



ITEM	PART NUMBER	DESCRIPTION	QTY
7	CASTLE NUT	1-1/2" X 6	2
12	NTD-A601	SMALL BUSHING SEPERATOR	2
13	NTD-T308	TRUNION GUARD HANGER LEFT	2
14	PAXL-15*	1-1/2" AXLE	1
15	NTD-T309	TRUNION GUARD HANGER RIGHT	2
16	NTD-A602	LARGE BUSHING SEPERATOR	2
17	PDSC-CT002	SPOOL PLATE SMALL	1
18	WASHER	1-1/2"	1
19	PDSC-CT906	1-1/2" TRUNNION BEARING	2
21	NTD-A501	SCRAPER ARM ASSEMBLY	2
23	PDSC-CA041	REAR MUD SCRAPER ASSEMBLY	2
26	PDB-24S	24" SMOOTH DISC	3
27	NTD-T402	ADD A DISC WASHER	1
28	NTD-T505	SCRAPER ANGLE	1
29	NTD-A306-A	GANG MOUNT ASSEMBLY	1

* THE SERIAL NUMBER OF THE EQUIPMENT IS REQUIRED

CALL YOUR LOCAL DEALER FOR PARTS

NARROW TANDEM DISC

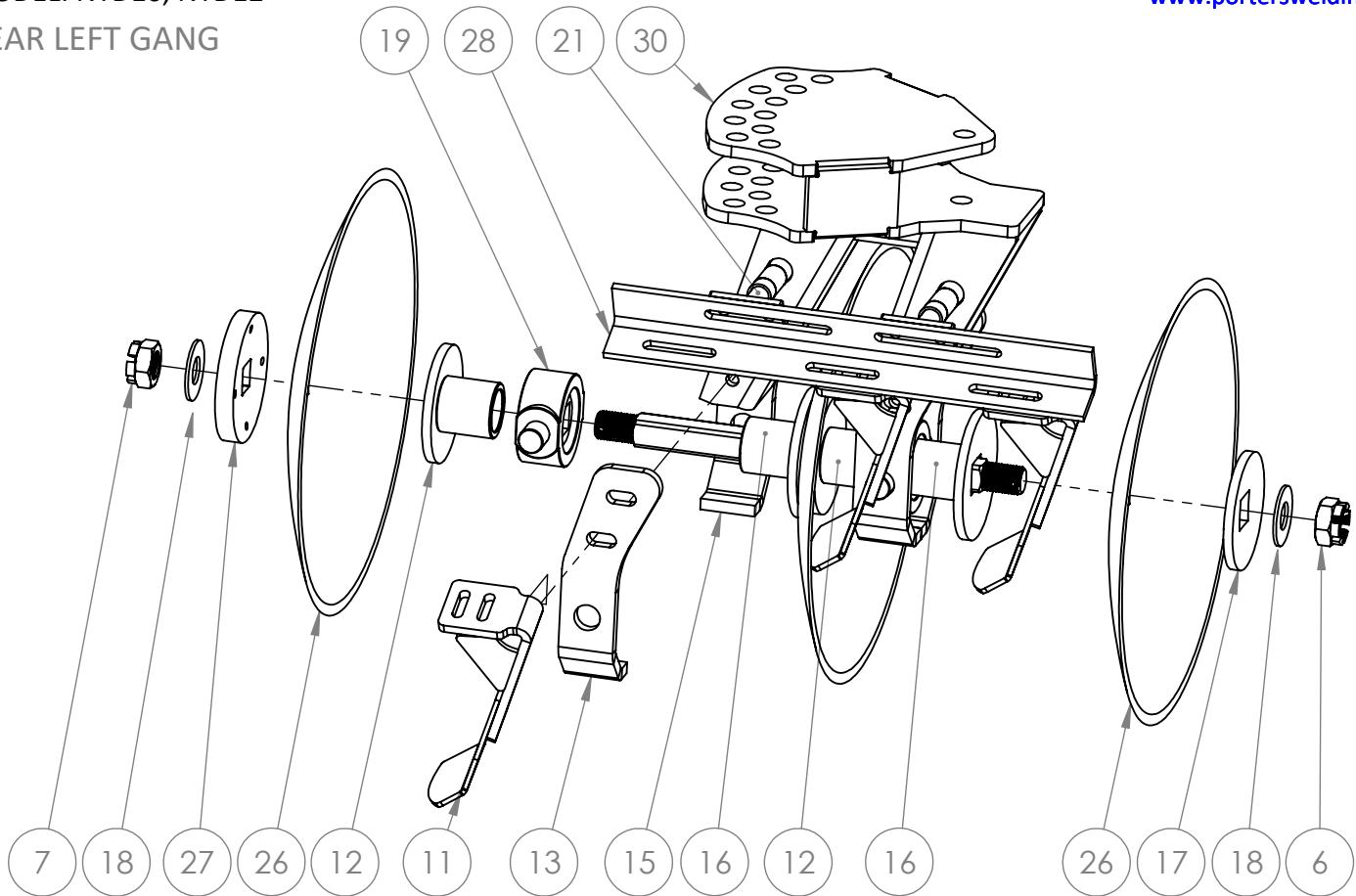
PARTS BOOK

MODEL: NTD10, NTD12

REAR LEFT GANG



www.porterswelding.com



ITEM	PART NUMBER	DESCRIPTION	QTY
7	CASTLE NUT	1-1/2" X 6	2
11	PDSC-CA040	FRONT MUD SCRAPER ASSEMBLY	2
12	NTD-A601	SMALL BUSHING SEPARATOR	2
13	NTD-T308	TRUNION GUARD HANGER LEFT	2
14	PAXL-15*	1-1/2" AXLE	1
15	NTD-T309	TRUNION GUARD HANGER RIGHT	2
16	NTD-A602	LARGE BUSHING SEPARATOR	2
17	PDSC-CT002	SPOOL PLATE SMALL	1
18	WASHER	1-1/2"	1
19	PDSC-CT906	1-1/2" TRUNNION BEARING	2
21	NTD-A501	SCRAPER ARM ASSEMBLY	2
22	NTD-A301	GANG MOUNT ASSEMBLY	1
26	PDB-24S	24" SMOOTH DISC	3
27	NTD-T402	ADD A DISC WASHER	1
28	NTD-T505	SCRAPER ANGLE	1
30	NTD-A304-A	GANG MOUNT ASSEMBLY	1

* THE SERIAL NUMBER OF THE EQUIPMENT IS REQUIRED

CALL YOUR LOCAL DEALER FOR PARTS

NARROW TANDEM DISC

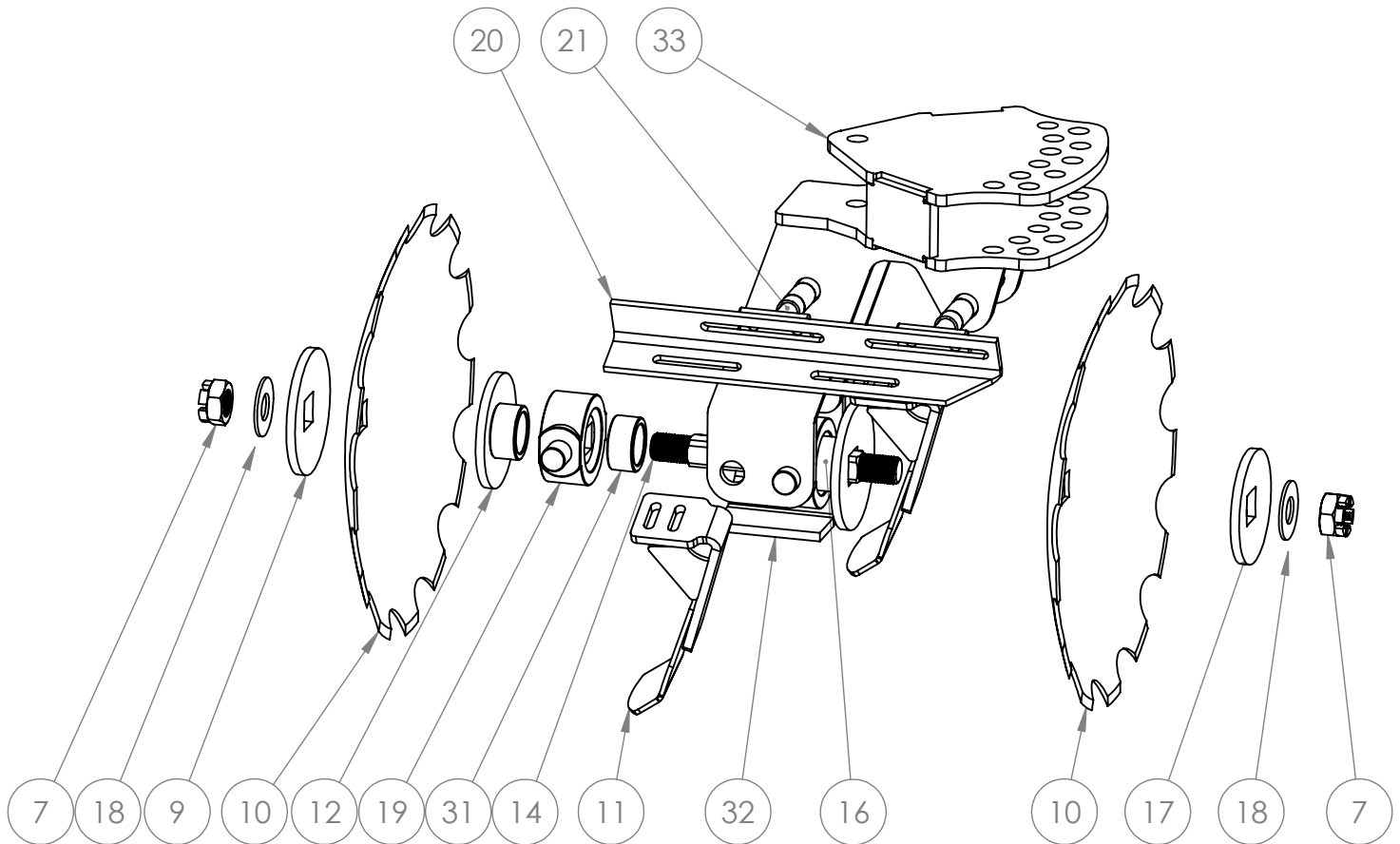
PARTS BOOK

MODEL: NTD10

FRONT RIGHT GANG



www.porterswelding.com



ITEM	PART NUMBER	DESCRIPTION	QTY
7	CASTLE NUT	1-1/2" X 6	2
9	PDSC-CT001	SPOOL PLATE LARGE	1
10	PDB-24N	24" NOTCHED DISC	3
11	PDSC-CA040	FRONT MUD SCRAPER ASSEMBLY	2
12	NTD-A601	SMALL BUSHING SEPERATOR	2
14	PAXL-15*	1-1/2" AXLE	1
16	NTD-A602	LARGE BUSHING SEPERATOR	2
17	PDSC-CT002	SPOOL PLATE SMALL	1
18	WASHER	1-1/2"	1
19	PDSC-CT906	1-1/2" TRUNNION BEARING	2
20	NTD-T311	SCRAPER ANGLE FRONT RIGHT	1
21	NTD-A501	SCRAPER ARM ASSEMBLY	2
31	NTD-T207	BEARING BUSHING	1
32	NTD-T314	BEARING MOUNT BOLT ON	1
33	NTD-A309-A	GANG MOUNT ASSEMBLY	1

* THE SERIAL NUMBER OF THE EQUIPMENT IS REQUIRED

CALL YOUR LOCAL DEALER FOR PARTS

NARROW TANDEM DISC

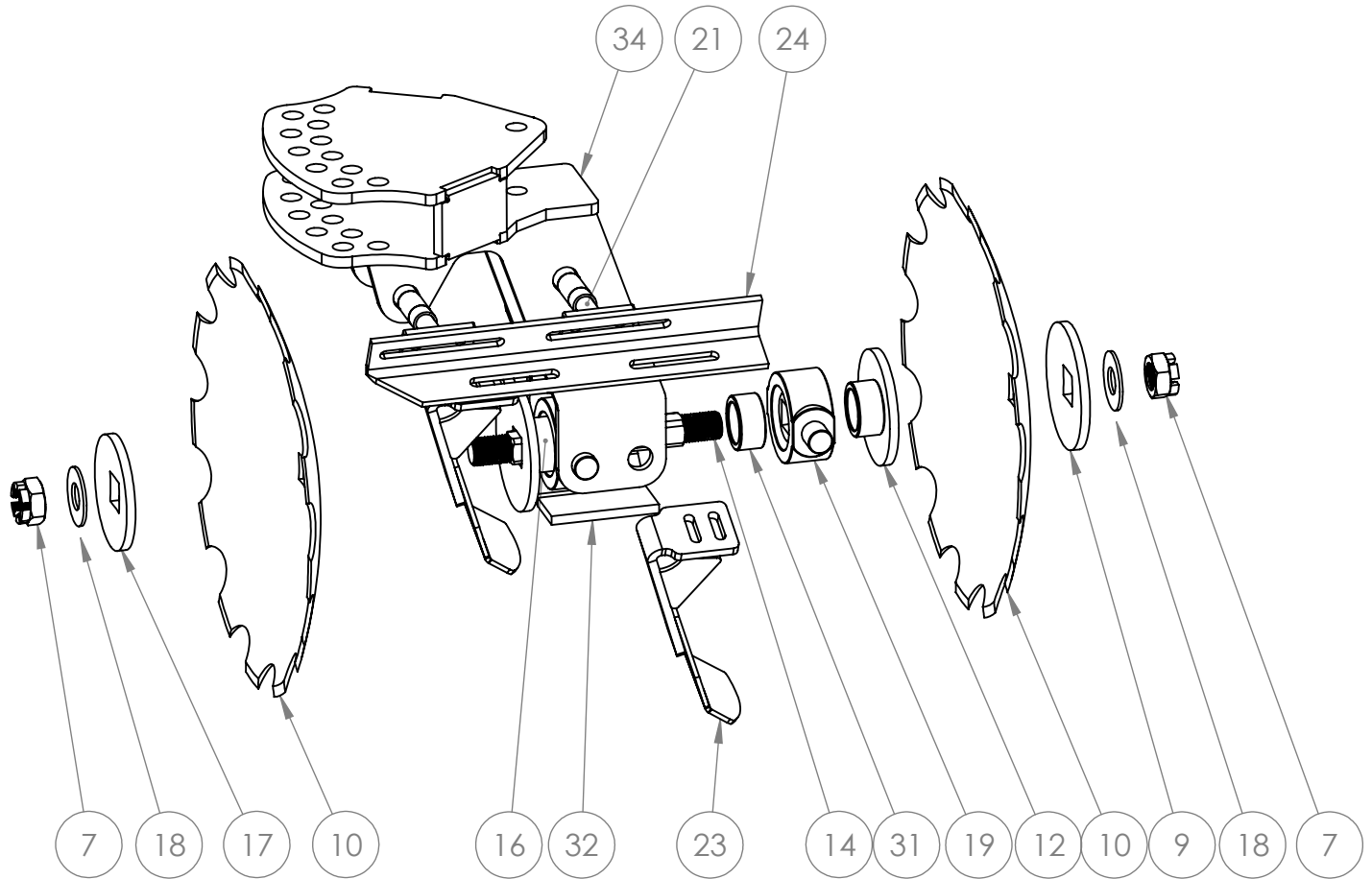
PARTS BOOK

MODEL: NTD10

FRONT LEFT GANG



www.porterswelding.com



ITEM	PART NUMBER	DESCRIPTION	QTY
7	CASTLE NUT	1-1/2" X 6	2
9	PDSC-CT001	SPOOL PLATE LARGE	1
10	PDB-24N	24" NOTCHED DISC	3
12	NTD-A601	SMALL BUSHING SEPERATOR	2
14	PAXL-15*	1-1/2" AXLE	1
16	NTD-A602	LARGE BUSHING SEPERATOR	2
17	PDSC-CT002	SPOOL PLATE SMALL	1
18	WASHER	1-1/2"	1
19	PDSC-CT906	1-1/2" TRUNNION BEARING	2
21	NTD-A501	SCRAPER ARM ASSEMBLY	2
23	PDSC-CA041	REAR MUD SCRAPER ASSEMBLY	2
24	NTD-T310	SCRAPER ANGLE FRONT LEFT	1
31	NTD-T207	BEARING BUSHING	1
32	NTD-T314	BEARING MOUNT BOLT ON	1
34	NTD-A310-A	GANG MOUNT ASSEMBLY	1

* THE SERIAL NUMBER OF THE EQUIPMENT IS REQUIRED

CALL YOUR LOCAL DEALER FOR PARTS