

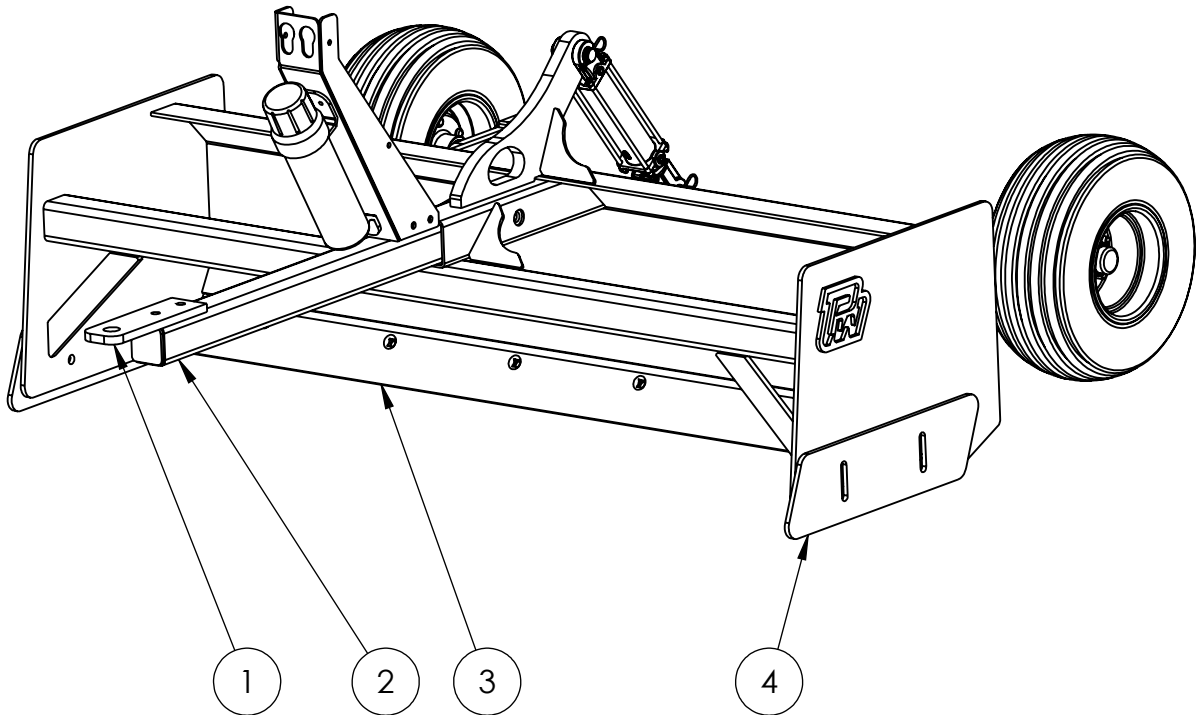
# LIGHT DUTY DRAG SCRAPER

## PARTS BOOK

MODELS: LDD4, LDD5, LDD6, LDD7 & LDD8



[www.porterswelding.com](http://www.porterswelding.com)



ITEM	PART NUMBER	DESCRIPTION	QTY
1	LDD-CT006	HITCH PLATE	1
2	LDD-CA100	TONGUE ASSEMBLY	1
3	LDDXX-T002*	SCRAPER BLADE	1
4	SLB-T020	SLOBBER BIT	SET (2)

\* THE SERIAL NUMBER OF THE EQUIPMENT IS REQUIRED

CALL YOUR LOCAL DEALER FOR PARTS

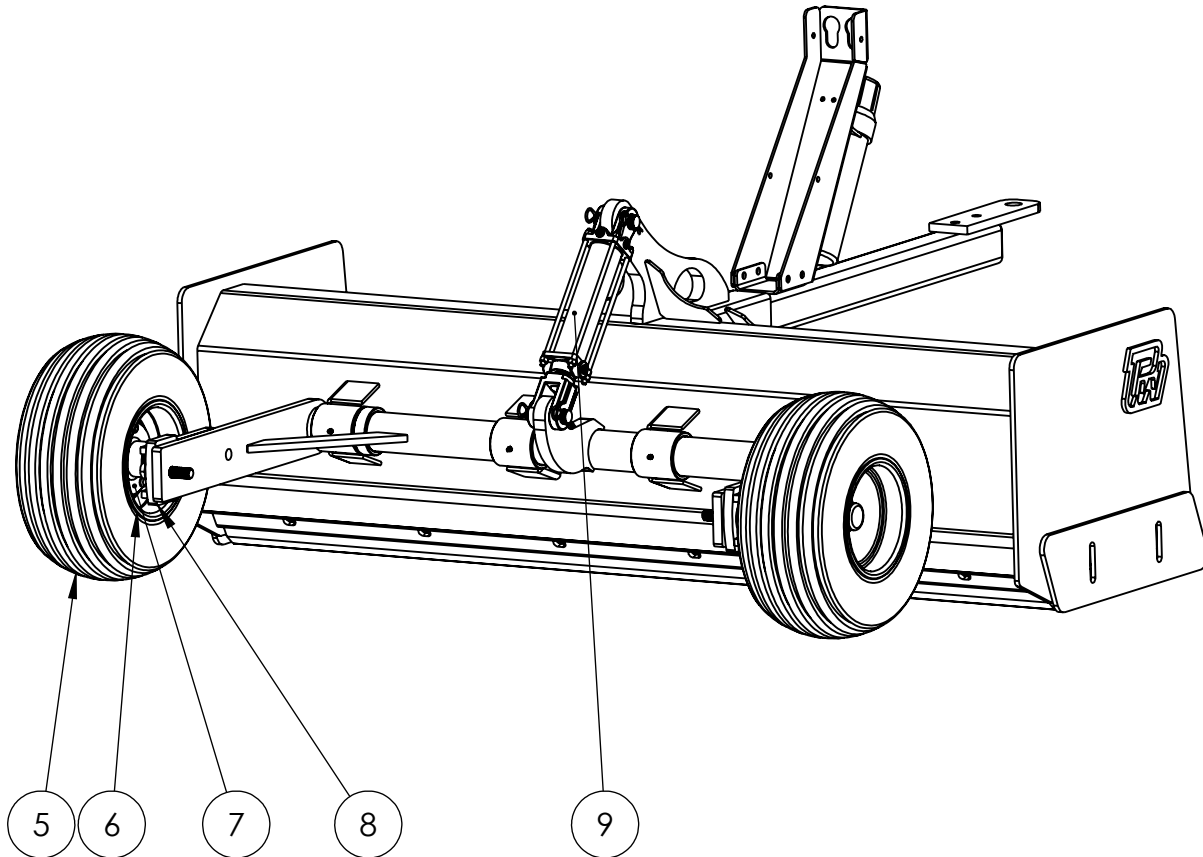
# LIGHT DUTY DRAG SCRAPER

## PARTS BOOK

MODELS: LDD4, LDD5, LDD6, LDD7 & LDD8



[www.porterswelding.com](http://www.porterswelding.com)



ITEM	PART NUMBER	DESCRIPTION	QTY
5	LDD-T101	18/850-8/4 TIRE	2
6	LDD-T102	8 X 7 RIM	2
7	LDD-CT014	5 ON 4.5 HUB ASSEMBLY	2
8	LDD-CA102	SPINDLE ASSEMBLY	2
9	206-TRC	2 X 6 CYLINDER TIE ROD	1

\* THE SERIAL NUMBER OF THE EQUIPMENT IS REQUIRED

CALL YOUR LOCAL DEALER FOR PARTS

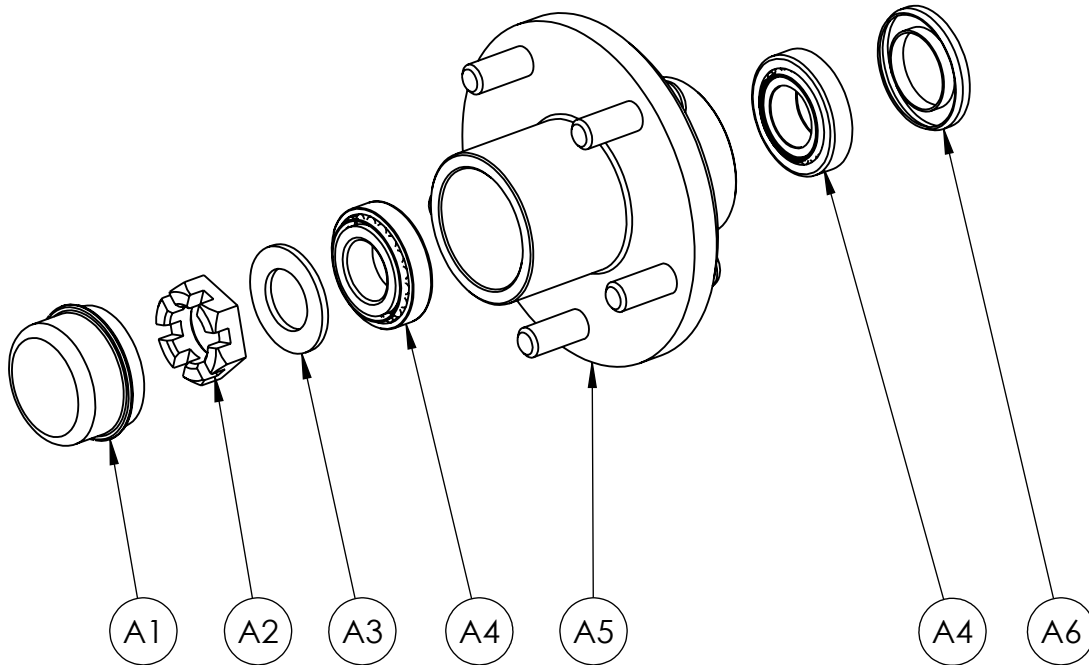
# LIGHT DUTY DRAG SCRAPER

## PARTS BOOK

MODELS: LDD4, LDD5, LDD6, LDD7 & LDD8



[www.porterswelding.com](http://www.porterswelding.com)



ITEM	PART NUMBER	DESCRIPTION	QTY
A1	LDD-CT017	DUST CAP	1
A2	LDD-CT016	SPINDLE NUT	1
A3	LDD-CT015	SPINDLE WASHER	1
A4	545-BER	BEARING KIT	1
A5	LDD-CT014	5 ON 4.5 HUB	1
A6	LDD-CT021	SEAL	1

\* THE SERIAL NUMBER OF THE EQUIPMENT IS REQUIRED

CALL YOUR LOCAL DEALER FOR PARTS