

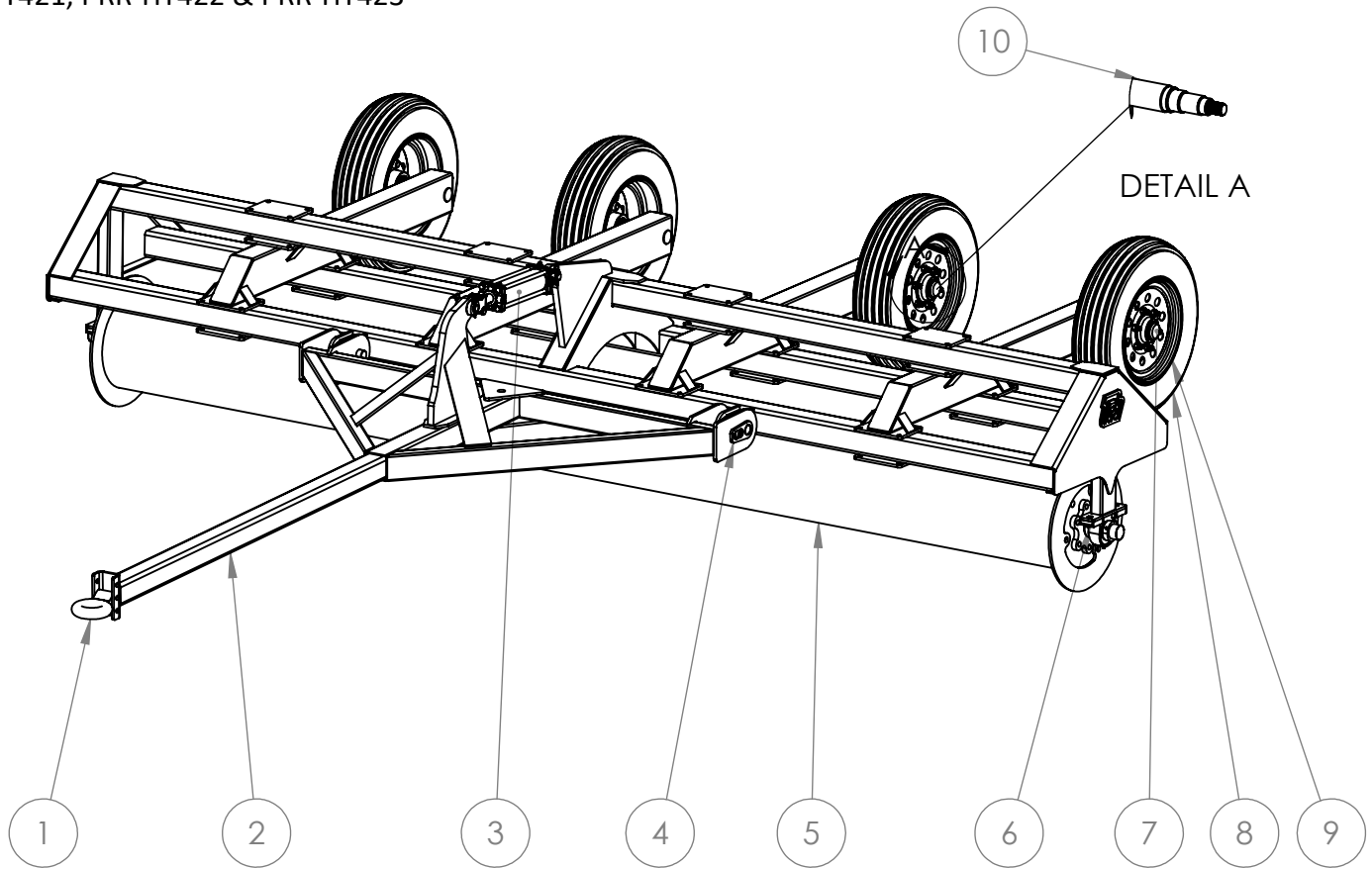
# RING ROLLER TRANSPORT

## PARTS BOOK

MODELS: PRR-HT212, PRR-HT213, PRR-HT213, PRR-HT214,  
 PRR-HT415, PRR-HT416, PRR-HT417, PRR-HT418, PRR-HT419, PRR-HT420,  
 PRR-HT421, PRR-HT422 & PRR-HT423



[www.porterswelding.com](http://www.porterswelding.com)



| ITEM | PART NUMBER | DESCRIPTION                | QTY |
|------|-------------|----------------------------|-----|
| 1    | PW-LT048    | 12K HITCH                  | 1   |
| 2    | RR-CA101    | TONGUE                     | 1   |
| 3    | 310-TRC     | 3 X 10 CYLINDER TIE ROD    | 1   |
| 4    | PHWC-A303   | TONGUE PIN                 | 2   |
| 5    | RR-CA110*   | 10" DIAMETER PIPE ASSEMBLY | 1   |
| 5    | RR-CA112*   | 12" DIAMETER PIPE ASSEMBLY | 1   |
| 5    | RR-CA114*   | 14" DIAMETER PIPE ASSEMBLY | 1   |
| 6    | PRR-2BER    | 2-3/16" 2 BOLT BEARING     | 2   |
| 7    | PW-LWA001   | 6 ON 6 HUB ASSEMBLY        | 4   |
| 8    | PW-LWT034   | 27 X 9.5-15 TIRE           | 4   |
| 9    | PW-LWT023   | 15 X 6 RIM                 | 4   |
| 10   | PW-LT015    | SPINDLE                    | 4   |

\* THE SERIAL NUMBER OF THE EQUIPMENT IS REQUIRED

CALL YOUR LOCAL DEALER FOR PARTS

# HYDRAULIC WHEEL CONTROL RING ROLLER

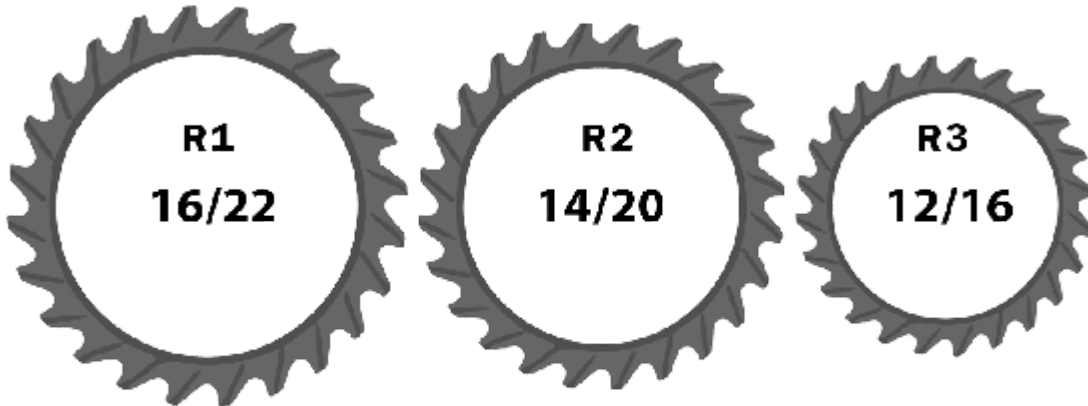
## PARTS BOOK

MODELS: PRR-AW414, PRR-AW416, PRR-AW418, PRR-AW420 & PRR-AW422



[www.porterswelding.com](http://www.porterswelding.com)

### RINGS



### Inside Diameter / Outside Diameter

| ITEM | PART NUMBER | DESCRIPTION | QTY |
|------|-------------|-------------|-----|
| R1   | 162200D     | 16/22 RINGS | *   |
| R2   | 14200D      | 14/20 RINGS | *   |
| R3   | 121600D     | 12/16 RINGS | *   |

\* THE SERIAL NUMBER OF THE EQUIPMENT IS REQUIRED

CALL YOUR LOCAL DEALER FOR PARTS

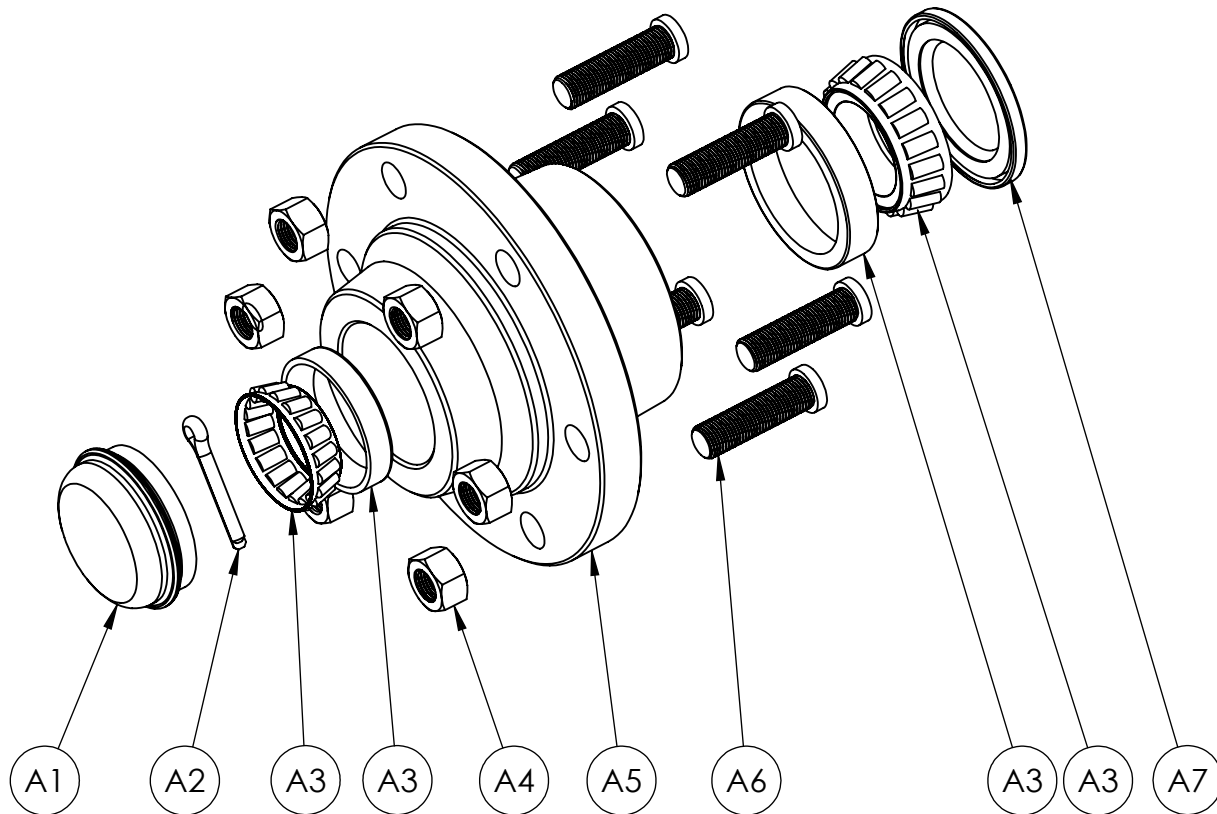
# HYDRAULIC WHEEL CONTROL RING ROLLER

## PARTS BOOK

MODELS: PRR-AW414, PRR-AW416, PRR-AW418, PRR-AW420 & PRR-AW422



[www.porterswelding.com](http://www.porterswelding.com)



| ITEM | PART NUMBER | DESCRIPTION | QTY |
|------|-------------|-------------|-----|
| A1   | PW-LWT008   | DUST CAP    | 1   |
| A2   | PW-LWT023   | COTTER PIN  | 1   |
| A3   | 606-BER     | BEARING KIT | 1   |
| A4   | PW-LWT016   | LUG NUT     | 6   |
| A5   | PW-LWT001   | 6 ON 6 HUB  | 1   |
| A6   | PW-LWT002   | 6 ON 6 STUD | 6   |
| A7   | PW-LWT007   | SEAL        | 1   |

\* THE SERIAL NUMBER OF THE EQUIPMENT IS REQUIRED

CALL YOUR LOCAL DEALER FOR PARTS