

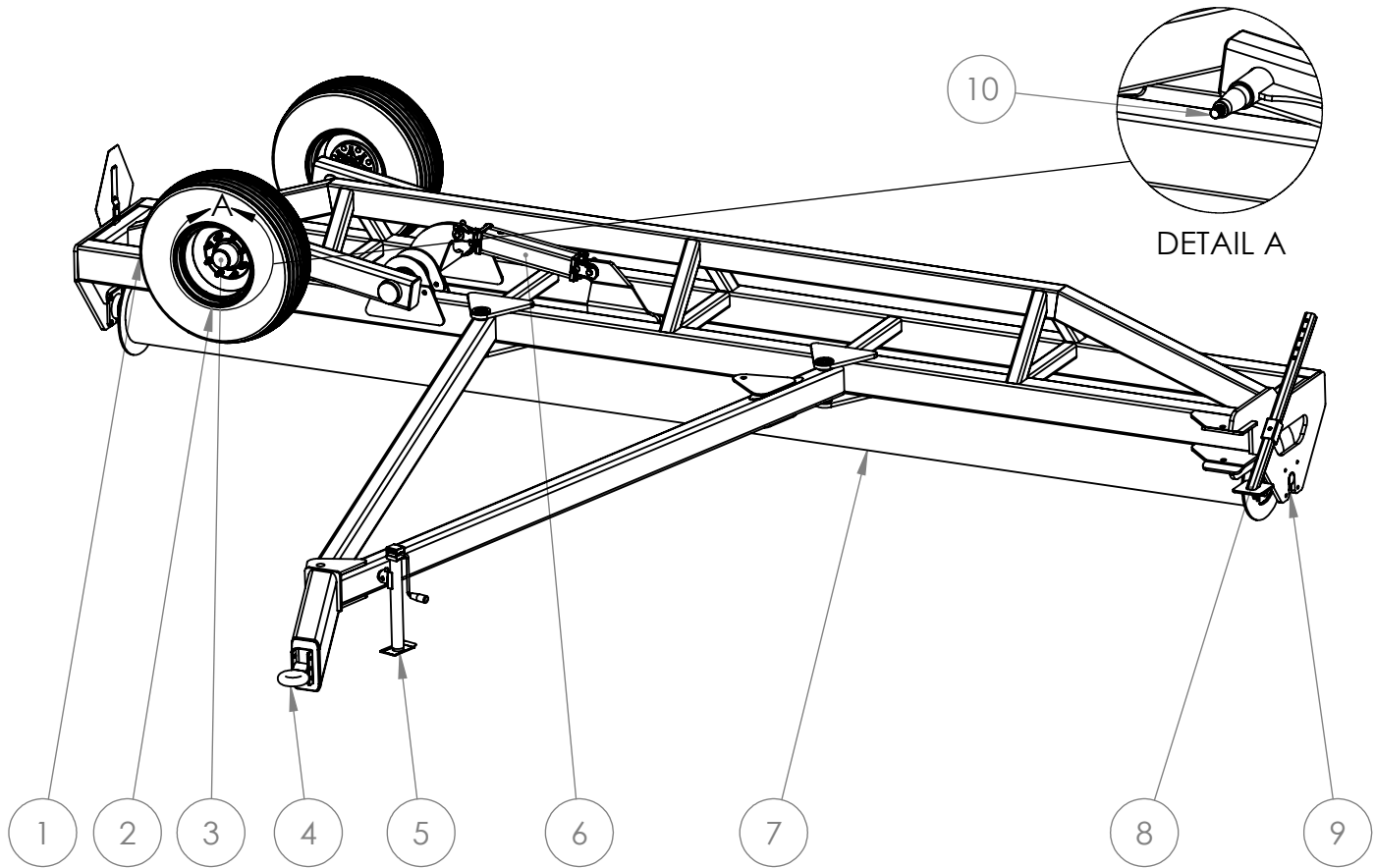
# END TOW RING ROLLER

## PARTS BOOK

MODELS: PRR-EM20, PRR-EM22 & PRR-EM24



[www.porterswelding.com](http://www.porterswelding.com)



ITEM	PART NUMBER	DESCRIPTION	QTY
1	PW-LWT035	12.5L-16SL TIRE	2
2	PW-LWT024	16 X 8 RIM	2
3	PW-LWA002	8 ON 8 HUB ASSEMBLY	2
4	PW-LT048	12K HITCH	1
5	PW-LT130	15" TRAILER JACK	1
6	418-TRC	4 X 18 CYLINDER TIE ROD	1
7	RR-CA110*	10" DIAMETER PIPE ASSEMBLY	1
7	RR-CA112*	12" DIAMETER PIPE ASSEMBLY	1
7	RR-CA114*	14" DIAMETER PIPE ASSEMBLY	1
8	ETRR-CA601	KICKSTAND	1
9	PRR-4BER	2-3/16" 4 BOLT BEARING	2
10	PW-LT066	SPINDLE	2

\* THE SERIAL NUMBER OF THE EQUIPMENT IS REQUIRED

CALL YOUR LOCAL DEALER FOR PARTS

# END TOW RING ROLLER

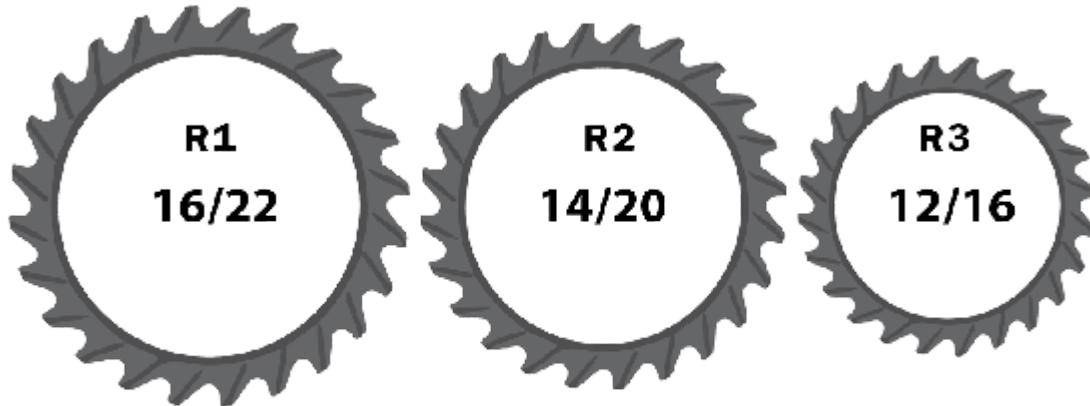
## PARTS BOOK

MODELS: PRR-EM20, PRR-EM22 & PRR-EM24



[www.porterswelding.com](http://www.porterswelding.com)

RINGS



### Inside Diameter / Outside Diameter

ITEM	PART NUMBER	DESCRIPTION	QTY
R1	162200D	16/22 RINGS	*
R2	14200D	14/20 RINGS	*
R3	121600D	12/16 RINGS	*

\* THE SERIAL NUMBER OF THE EQUIPMENT IS REQUIRED

CALL YOUR LOCAL DEALER FOR PARTS

# END TOW RING ROLLER

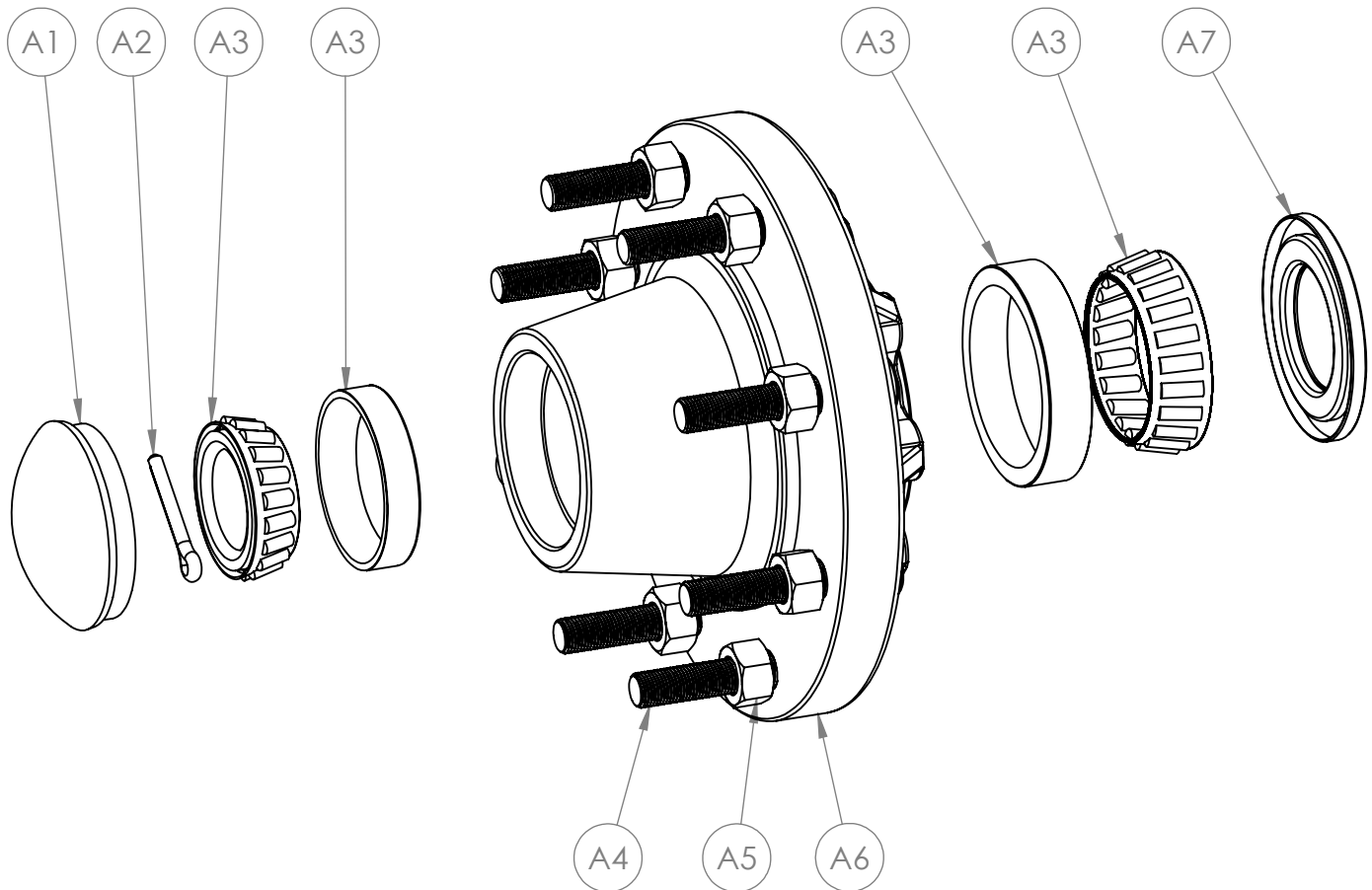
## PARTS BOOK

MODELS: PRR-EM20, PRR-EM22 & PRR-EM24



[www.porterswelding.com](http://www.porterswelding.com)

### 8 ON 8 HUB ASSEMBLY



ITEM	PART NUMBER	DESCRIPTION	QTY
A1	PW-LWT015	DUST CAP	1
A2	PW-LWT009	COTTER PIN	1
A3	808-BER	BEARING KIT	1
A4	PW-LWT011	8 ON 8 STUD	8
A5	PW-LWT017	LUG NUT	8
A6	PW-LWT010	8 ON 8 HUB	1
A7	PW-LWT014	SEAL	1