

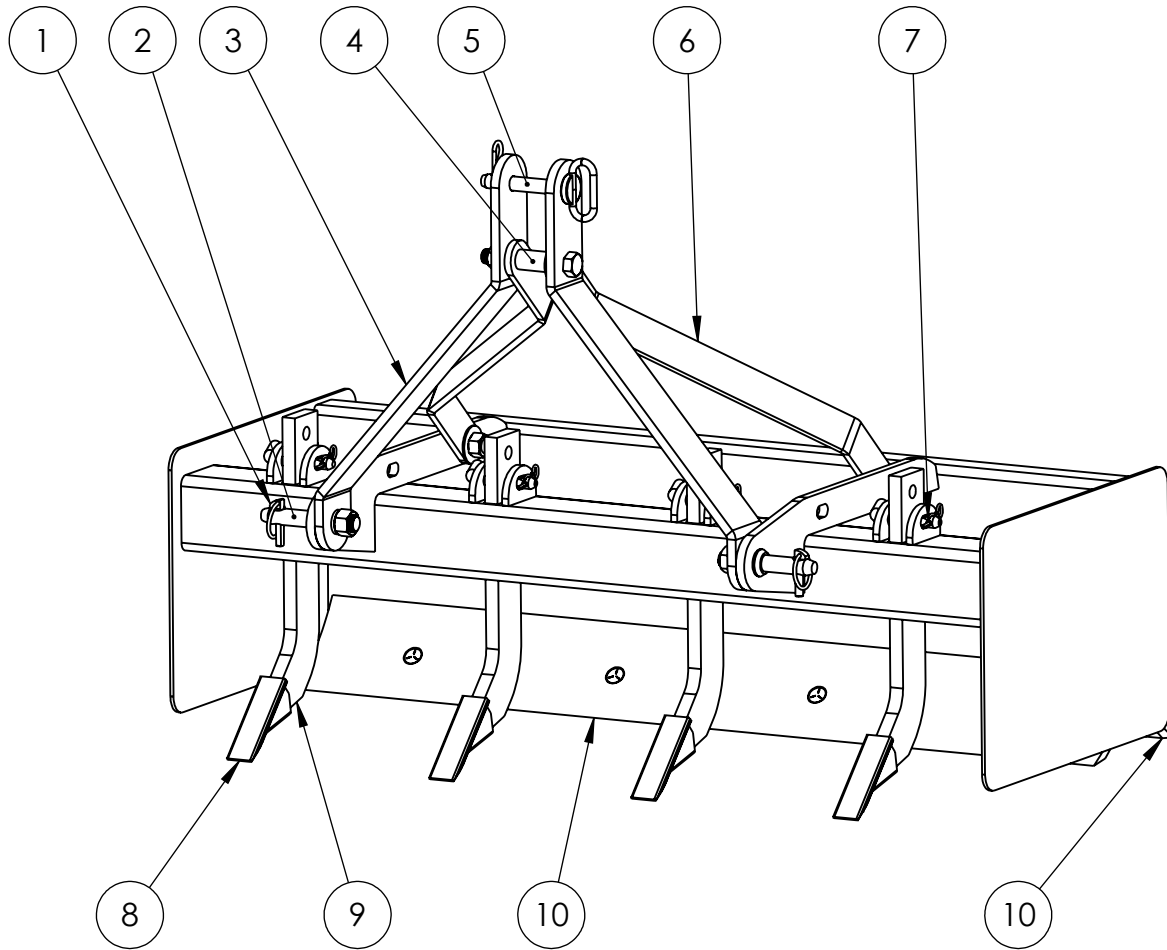
COMPACT BOX BLADE SCRAPER

PARTS BOOK

MODELS: CBB48, CBB60 & CBB72



www.porterswelding.com



ITEM	PART NUMBER	DESCRIPTION	48/QTY	60/QTY	72/QTY
1	-	LYNCH PIN	2	2	2
2	PW-LT153	DRAW PIN	2	2	2
3	CBB-CT003	3PT UPPER	2	2	2
4	BBS-CT013	TOP LINK BUSHING	1	1	1
5	PW-LT151	HITCH PIN	1	1	1
6	CBB-CT004	3PT BRACE	2	2	2
6	BBS-CT009	3PT UPPER LEFT	1	1	1
7	BBS-CT014	PIN	4	5	6
8	BBS-CT014	POINT	4	5	6
9	PCP-T004	SHANK	4	5	6
10	BBS-CT248	BLADE	2	-	-
10	BBS-CT260	BLADE	-	2	-
10	BBS-CT272	BLADE	-	-	2

* THE SERIAL NUMBER OF THE EQUIPMENT IS REQUIRED

CALL YOUR LOCAL DEALER FOR PARTS